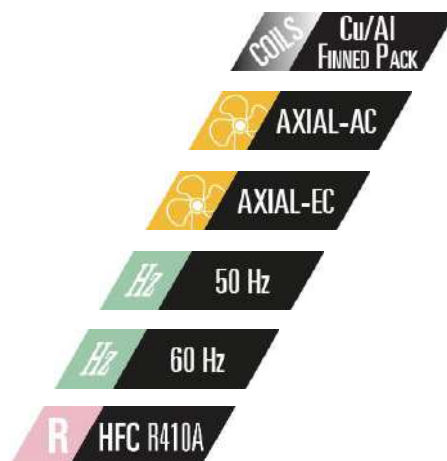

Data Book

T_BVE2DX_1119_EN - HFC R410A

BVE2 DX

12-146 kW

Air cooled condensers for IT Cooling with axial fans.
Outdoor installation.



The picture of the unit is indicative and may vary depending on the model

- Operation with outdoor temperature up to 52°C
- Outdoor installation
- Condensing coil in copper tubes and finned aluminium pack
- Axial fans with AC (DX-A) or EC (DX-E) electric motor
- 2 sounds levels
- Refrigerant R410A
- 50Hz or 60Hz power supply

INDEX

CERTIFICATIONS	3
GENERAL CHARACTERISTICS	4
PRODUCT FEATURES AND BENEFITS	4
F-GAS DIRECTIVE	4
WORKING LIMITS	4
TRANSPORT AND STORAGE TEMPERATURE	4
MODEL IDENTIFICATION	5
AVAILABLE SERIES	5
AVAILABLE MODELS	6
MAIN COMPONENTS	7
OPTIONAL ACCESSORIES	8
TECHNICAL DATA SERIES DX-A B – 230/1/50	9
TECHNICAL DATA SERIES DX-A L – 230/1/50	9
REMOTE CONDENSERS WITH AXIAL FANS WITH “EC” ELECTRIC MOTORS – SERIES DX-E	10
TECHNICAL DATA SERIES DX-E B - 230/1/50	11
TECHNICAL DATA SERIES DX-E L - 230/1/50	11
TECHNICAL DATA SERIES DX-E B – 400/3/50	12
TECHNICAL DATA SERIE DX-E L – 400/3/50	12
TECHNICAL DATA SERIES DX-E B – 220/1/60	13
TECHNICAL DATA SERIES DX-E L – 220/1/60	13
TECHNICAL DATA SERIES DX-E B – 265/1/60	14
TECHNICAL DATA SERIES DX-E L – 265/1/60	14
TECHNICAL DATA SERIES DX-E B – 380/3/60	15
TECHNICAL DATA SERIES DX-E L – 380/3/60	15
TECHNICAL DATA SERIES DX-E B – 460/3/60	16
TECHNICAL DATA SERIES DX-E L – 460/3/60	16
ACOUSTIC DATA	17
DIMENSIONS, WEIGHTS & REFRIGERANT CONNECTIONS	18
REFRIGERANT CHARGE	18
RECOMMENDED REFRIGERANT LINES	19
“SI” INTERNATIONAL SYSTEM PIPES DIAMETERS	19
“IMPERIAL” SYSTEM PIPES DIAMETERS	21
INSTALLATION DIAGRAM	23
RECOMMENDATIONS FOR INSTALLATION	24
STOP VALVES	26
CONDENSING CONTROL	26
POWER SUPPLY	26
ELECTRICAL CONNECTION WITH THE INDOOR UNIT	26
OPTIONAL ACCESSORIES: P682 – CU/CU CONDENSING COIL	27
OPTIONAL ACCESSORIES: P683 – CATAPHORESIS CONDENSING COIL	27
OPTIONAL ACCESSORIES: P684 - BLYGOLD® CONDENSING COIL	27
OPTIONAL ACCESSORIES: P172 - KIT FOR AIR -45°C AXIAL AC	27
OPTIONAL ACCESSORIES: C628000004 / C628000005 / C628000006 - LEGS FOR VERTICAL AIR FLOW (KIT)	28
MACHINE DRAWINGS	29
WIRING DIAGRAM – POWER SUPPLY 230V / 1PH / 50HZ	49
WIRING DIAGRAM – POWER SUPPLY 230V / 1PH / 50HZ – WITH OPTIONAL P172 KIT FOR AIR -45°C AXIAL AC	51
WIRING DIAGRAM – POWER SUPPLY 200-277V / 1PH / 50-60HZ	53
WIRING DIAGRAM – POWER SUPPLY 380-480V / 3PH / 50-60HZ	55
SHIPMENT: PACKING DIMENSIONS	57
SHIPMENT: PACKING DIMENSION FOR LEGS FOR VERTICAL AIR FLOW	57

Liability disclaimer

The present publication is drawn up by of information only and does not constitute an offer binding upon Mitsubishi Electric Hydronics & IT Cooling Systems S.p.A. Mitsubishi Electric Hydronics & IT Cooling Systems S.p.A. has compiled the content of this publication to the best of its knowledge. The data contained herein are subject to change without notice. Mitsubishi Electric Hydronics & IT Cooling Systems S.p.A. explicitly rejects any liability for any direct or indirect damage, in the broadest sense, arising from or related to the use and/or interpretation of this publication. All content is copyrighted by Mitsubishi Electric Hydronics & IT Cooling Systems S.p.A.

CERTIFICATIONS



ISO 9001 CERTIFICATION
Quality Management System



ISO 14001 CERTIFICATION
Environmental Management System



BS OHSAS 18001 CERTIFICATION.
Occupational Health and Safety Management System



CE MARKING



RoHS 2011/65/EU



CCC – CQC CERTIFICATION
(People's Republic of China)



EAC CERTIFICATION
(Russian Federation, Belarus, Kazakhstan)

GENERAL CHARACTERISTICS

Air cooled condenser for IT Cooling with axial fans and horizontal air flow.
Air flow from coil to fan.
Condensers are supplied with seal charge; the refrigerant charge must be carried out.
Frame for outdoor installation.
The constructive solutions allow high application flexibility.
50Hz or 60Hz versions.
15 models with capacity from 12 to 146 kW.
The series has an independent power supply from the indoor unit.
Among the indoor unit and the condenser is necessary the refrigerant connection and electrical connection of the condensing proportional control signal and the alarms.

PRODUCT FEATURES AND BENEFITS

- Operation with outdoor temperature up to 52°C;
- Suitable for any type of plant;
- Structure in galvanized and painted steel;
- Reduced dimensions and weight to facilitate handling and installation;
- Independent power supply from the indoor unit;
- Horizontal air flow from coil to fan. On request vertical air flow;
- 2 sound levels and quiet operation particularly suitable for applications in urban areas;

F-GAS DIRECTIVE

The units highlighted in this publication contain HFC R410A [GWP₁₀₀ 2088] fluorinated greenhouse gases.

WORKING LIMITS

AMBIENT AIR TEMPERATURE

52°C	Maximum ambient air temperature for units equipped AC/EC fans.
-20°C	Minimum ambient air temperature for units equipped AC fans.
-35°C	Minimum ambient air temperature for units equipped EC fans.
-45°C	Minimum ambient air temperature for units equipped AC fans and optional "P172 Kit for air -45°C axial AC".

POWER SUPPLY

230 V ± 10%	Maximum tolerance of the supply voltage for single-phase version with AC motors.
200 V ÷ 277 V	Power supply range for single-phase version with EC motor.
380 V ÷ 460 V	Power supply range for three-phases version with EC motor.
50 Hz / 60 Hz	Power frequency for all versions with EC motor.
± 2%	Maximum unbalance between the phases only for fans with EC motor.

TRANSPORT AND STORAGE TEMPERATURE

During transport and if the machine is not installed at the reception, do not remove the packaging and place the machine in an enclosed, dry and protected from sunlight site at temperatures ranging between -45°C and 60°C in absence of superficial condensation.

BVE2 DX

MODEL IDENTIFICATION

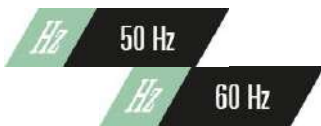


BVE2	DX-A B M 14
BVE2	Air cooled condensers
DX-A	Series with axial fans with AC electric motor
DX-E	Series with axial fans with EC electric motor
B	Sound level B = standard L = extremely low noise
M	Power supply M = Single-phase T = Three-phases
14	Capacity (kW)

AVAILABLE SERIES

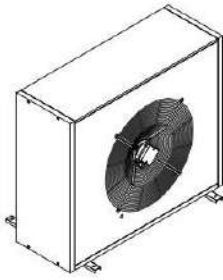


BVE2 DX-A B	Remote condenser equipped with AC fan Standard acoustic version Power supply 230V / 1Ph / 50Hz
BVE2 DX-A L	Remote condenser equipped with AC fan Extremely low noise acoustic version Power supply 230V / 1Ph / 50Hz

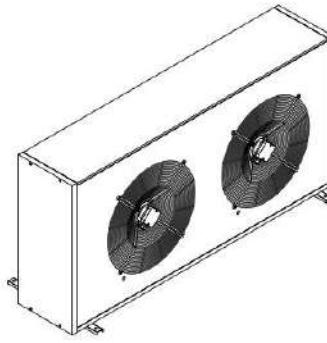


BVE2 DX-E B	Remote condenser equipped with EC fan Standard acoustic version Power supply 200-277V / 1Ph / 50-60Hz for "M" models Power supply 380-460V / 3Ph / 50-60Hz for "T" models
BVE2 DX-E L	Remote condenser equipped with EC fan Extremely low noise acoustic version Power supply 200-277V / 1Ph / 50-60Hz for "M" models Power supply 380-460V / 3Ph / 50-60Hz for "T" models

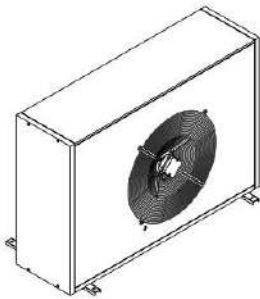
AVAILABLE MODELS



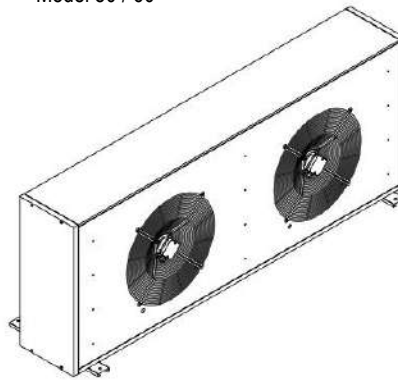
Model 11 / 14



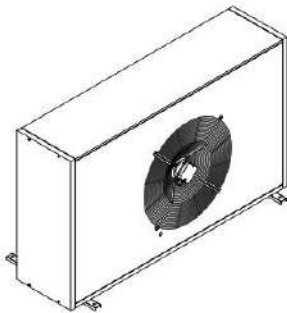
Model 50 / 60



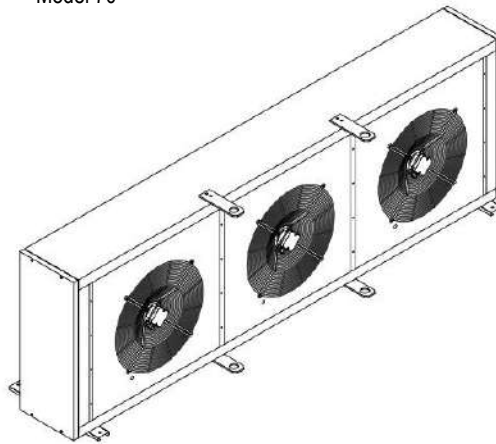
Model 17 / 20



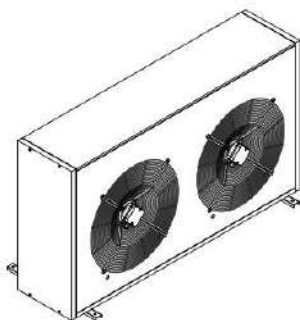
Model 70



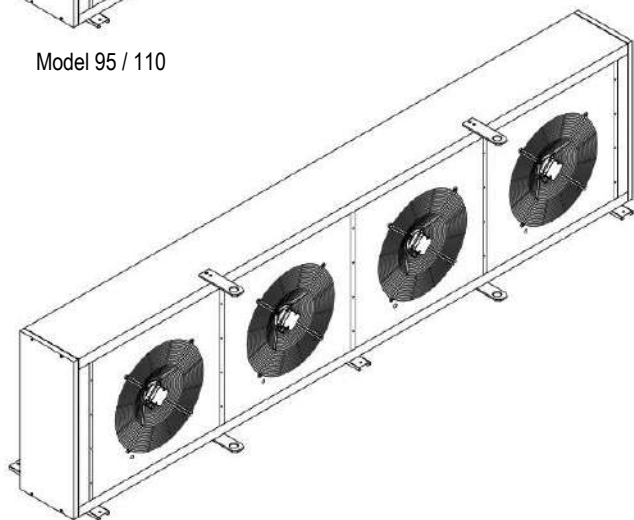
Model 25 / 30 / 35



Model 95 / 110



Model 45



Model 130 / 140

MAIN COMPONENTS



FRAMEWORK

- Base, self-supporting frame and panelling in steel plate with protective surfaces treatment in compliance with UNI ISO 9227/ASTMB117 and ISO 7253, and painted with epoxy powders.
- Colour: RAL 9002.
- Lifting eyebolts for models 95 / 110 / 130 / 140.
- Removable lateral panels.
- Lateral compartment for electrical panel with direct access to control and regulation devices;

FAN SECTION

- Axial fans with sickle-shaped blades, fan guard and optimized for low noise levels.
- Electric motor with external rotor.
- Integrated motor thermal protection.
- Motor rotation speed control through a 0-10Vdc proportional signal.
- Protection grid on the fan air supply.
- IP54 enclosure class.

VERSION WITH AC ELECTRIC MOTOR – series DX-A

- Rotation speed control via external electronics

VERSION WITH EC ELECTRIC MOTOR – series DX-E

- Rotation speed control with integrated controller

CONDENSING COIL

- Condensing coil in copper tubes and high efficiency aluminium fins, specifically developed to provide high heat transfer and lower pressure drops.
- The coil is supplied with seal charge.

REFRIGERANT CIRCUIT

- Service Schrader valve on refrigerant inlet pipe. The valve can be used for the emptying of the sealing charge, the creation of the vacuum and the refrigerant charge operation.
- Welding copper connection on the gas inlet and liquid outlet manifolds.
- Valves on gas and liquid line for coupling to refrigerant pipe. The valves are supplied in mounting kit.

ELECTRICAL PANEL

The electrical panel is positioned inside the condenser structure; remove the side panel to access.

Electrical panel in accordance with EN60204-1 norms, suitable for outdoor installation complete with:

- Terminals for power supply:
 - power supply - the power supply is independent of the indoor unit.
 - 0-10Vdc signal for fan rotation speed control - to be connected to the indoor unit.
 - alarm signal of the fans - to be connected to the indoor unit. The alarm signal is not available for condenser model DX-A B in standard acoustic version with optional P172 Kit for air -45°C axial AC.
- Electronic phase-cut regulator for fans speed control, only for condenser model DX-A B and DX-A L.

OPTIONAL ACCESSORIES

P682.....	Cu/Cu condensing coil: Condensing coil with copper tubes and copper fins.
P683.....	Cataphoretis condensing coil: Condensing coil with additional Cataphoresis protective treatment.
P684.....	Blygold® condensing coil: Condensing coil with additional Blygold® protective treatment.
P172 (1)	Kit for air -45°C axial AC: Only for condenser DX-A B in standard acoustic version. Kit for operation with ambient air temperature from -20°C to -45°C.
C628000004.....	Legs for vertical air flow (kit): Support legs for vertical air flow supplied in assembly kit. Models 11 / 14 / 17 / 20.
C628000005.....	Legs for vertical air flow (kit): Support legs for vertical air flow supplied in assembly kit. Models 25 / 30 / 35 / 45 / 50 / 60 / 70
C628000006.....	Legs for vertical air flow (kit): Support legs for vertical air flow supplied in assembly kit. Models 95 / 110 / 130 / 140.
9973	Wooden cage packing: The machines are delivered on wooden pallet, covered with shrink wrap and packaged in wooden cage.

WARNING

The Manufacturer reserves the right to accept the matching of the optional installed on the machine

MANDATORY COMBINATIONS OF ACCESSORIES FOR MATCHING TO MEHITS S.p.A. AIR CONDITIONERS

1. When optional accessory "P172 Kit for air -45°C axial AC" is present, it requires mandatory accessory "P191 Power supply for condenser" for the indoor units.

TECHNICAL DATA series DX-A B – 230/1/50

Fans with AC electric motors and STANDARD acoustic version

MODEL		M 11	M 14	M 17	M 20	M 25	M 30	M 35
REFRIGERANT		R410A	R410A	R410A	R410A	R410A	R410A	R410A
POWER SUPPLY		230/1/50	230/1/50	230/1/50	230/1/50	230/1/50	230/1/50	230/1/50
ACOUSTIC VERSION		B	B	B	B	B	B	B
CAPACITY (1)	kW	12,2	14,8	18,4	22,1	26,8	34,3	38,2
AXIAL FANS "AC"	n.	1	1	1	1	1	1	1
Total air flow	m ³ /h	4750	4300	4950	6400	9600	9500	9100
External static pressure	Pa	0	0	0	0	0	0	0
Total engaged power	kW	0,20	0,20	0,20	0,36	0,53	0,53	0,53
Starting current (SA)	A	0,97	0,97	0,97	1,78	2,62	2,62	2,62
Maximum total engaged power (FLI)	kW	0,22	0,22	0,22	0,39	0,60	0,60	0,60
Maximum total absorbed current (FLA)	A	0,97	0,97	0,97	1,78	2,62	2,62	2,62

MODEL		M 45	M 50	M 60	M 70	M 95	M 110	M 130	M 140
REFRIGERANT		R410A	R410A	R410A	R410A	R410A	R410A	R410A	R410A
POWER SUPPLY		230/1/50	230/1/50	230/1/50	230/1/50	230/1/50	230/1/50	230/1/50	230/1/50
ACOUSTIC VERSION		B	B	B	B	B	B	B	B
CAPACITY (1)	kW	49,0	55,9	63,1	74,3	100,0	113,0	135,0	146,0
AXIAL FANS "AC"	n.	2	2	2	2	3	3	4	4
Total air flow	m ³ /h	12000	17000	16000	18000	28200	27200	37800	36000
External static pressure	Pa	0	0	0	0	0	0	0	0
Total engaged power	kW	0,73	1,08	1,08	1,08	1,59	1,59	2,12	2,12
Starting current (SA)	A	3,56	5,24	5,24	5,24	7,86	7,86	10,50	10,50
Maximum total engaged power (FLI)	kW	0,78	1,20	1,20	1,20	1,80	1,80	2,40	2,40
Maximum total absorbed current (FLA)	A	3,56	5,24	5,24	5,24	7,86	7,86	10,50	10,50

TECHNICAL DATA series DX-A L – 230/1/50

Fans with AC electric motors and LOW NOISE acoustic version

MODEL		M 11	M 14	M 17	M 20	M 25	M 30	M 35
REFRIGERANT		R410A	R410A	R410A	R410A	R410A	R410A	R410A
POWER SUPPLY		230/1/50	230/1/50	230/1/50	230/1/50	230/1/50	230/1/50	230/1/50
ACOUSTIC VERSION		L	L	L	L	L	L	L
CAPACITY (1)	kW	9,79	11,5	14,2	17,2	21,2	26,6	29,2
AXIAL FANS "AC"	n.	1	1	1	1	1	1	1
Total air flow	m ³ /h	3325	3010	3465	4480	6720	6650	6370
External static pressure	Pa	0	0	0	0	0	0	0
Total engaged power	kW	0,14	0,14	0,14	0,25	0,37	0,37	0,37
Starting current (SA)	A	0,97	0,97	0,97	1,78	2,62	2,62	2,62
Maximum total engaged power (FLI)	kW	0,22	0,22	0,22	0,39	0,60	0,60	0,60
Maximum total absorbed current (FLA)	A	0,97	0,97	0,97	1,78	2,62	2,62	2,62

MODEL		M 45	M 50	M 60	M 70	M 95	M 110	M 130	M 140
REFRIGERANT		R410A	R410A	R410A	R410A	R410A	R410A	R410A	R410A
POWER SUPPLY		230/1/50	230/1/50	230/1/50	230/1/50	230/1/50	230/1/50	230/1/50	230/1/50
ACOUSTIC VERSION		L	L	L	L	L	L	L	L
CAPACITY (1)	kW	37,5	44,1	48,6	57,1	78,3	86,6	105,0	113,0
AXIAL FANS "AC"	n.	2	2	2	2	3	3	4	4
Total air flow	m ³ /h	8400	11900	11200	12600	19740	19040	26460	25200
External static pressure	Pa	0	0	0	0	0	0	0	0
Total engaged power	kW	0,51	0,76	0,76	0,76	1,11	1,11	1,48	1,48
Starting current (SA)	A	3,56	5,24	5,24	5,24	7,86	7,86	10,50	10,50
Maximum total engaged power (FLI)	kW	0,78	1,20	1,20	1,20	1,80	1,80	2,40	2,40
Maximum total absorbed current (FLA)	A	3,56	5,24	5,24	5,24	7,86	7,86	10,50	10,50

1. Referred to condensing temperature at 50°C and ambient air temperature at 35°C.
The units highlighted in this publication contain <HFC R410A [GWP₁₀₀ 2088]> fluorinated greenhouse gas

REMOTE CONDENSERS WITH AXIAL FANS WITH “EC” ELECTRIC MOTORS – series DX-E



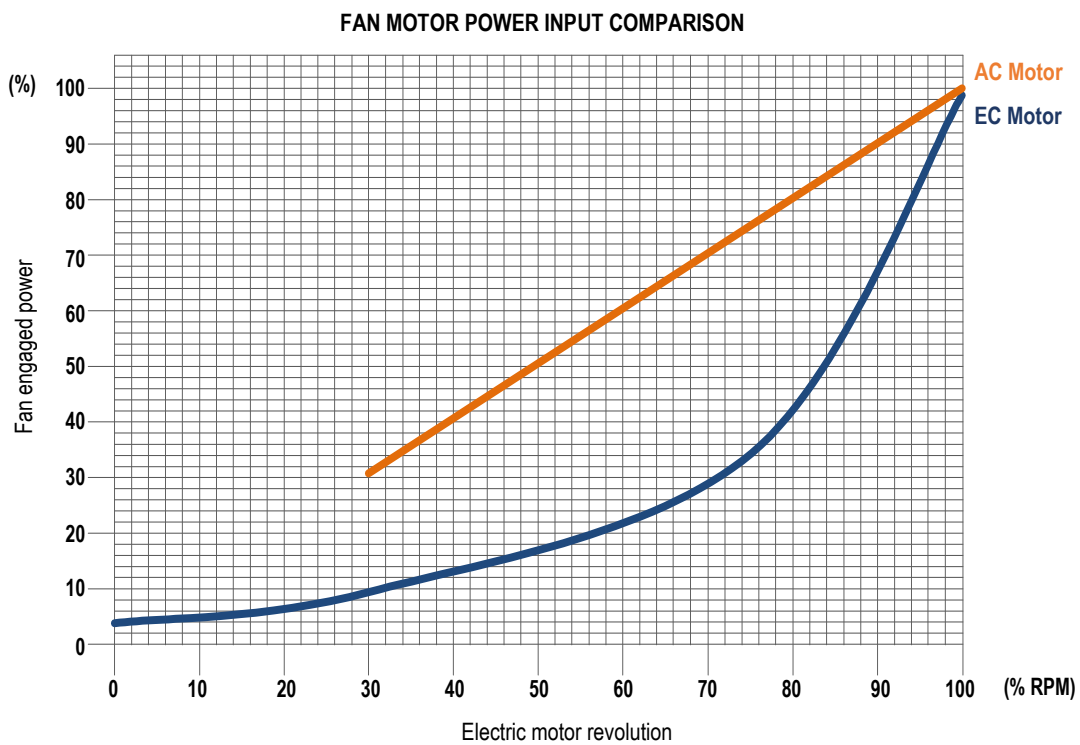
The “EC” axial fans are equipped with a brushless type synchronous motor with integrated electronic commutated system.

The motor rotation control is obtained with the EC system (Electronic Commutation) that manage the motor according to the 0÷10V proportional signal coming from the microprocessor control.

Characteristics of “EC” motors:

- no electromagnetic noise
- efficiency 83÷86%
- minimum power input

Characteristics comparison between an “AC” asynchronous electric motor with phase-cut control (voltage controller) and “EC” brushless type synchronous motor.



WARNING

The graphs are referred to working condition with null available static pressure (0 Pa).

TECHNICAL DATA series DX-E B - 230/1/50

Fans with EC electric motors and STANDARD acoustic version

MODEL		M 11	M 14	M 17	M 20	M 25	M 30	M 35
REFRIGERANT		R410A	R410A	R410A	R410A	R410A	R410A	R410A
POWER SUPPLY		230/1/50	230/1/50	230/1/50	230/1/50	230/1/50	230/1/50	230/1/50
ACOUSTIC VERSION		B	B	B	B	B	B	B
CAPACITY (1)	kW	12,2	14,8	18,4	22,1	26,8	34,3	38,2
AXIAL FANS "EC"	n.	1	1	1	1	1	1	1
Total air flow	m ³ /h	4750	4300	4950	6400	9600	9500	9100
External static pressure	Pa	0	0	0	0	0	0	0
Total engaged power	kW	0,17	0,17	0,17	0,40	0,34	0,38	0,39
Starting current (SA)	A	1,20	1,20	1,20	1,80	3,20	3,20	3,20
Maximum total engaged power (FLI)	kW	0,18	0,18	0,18	0,40	0,72	0,72	0,72
Maximum total absorbed current (FLA)	A	1,20	1,20	1,20	1,80	3,20	3,20	3,20

MODEL		M 45	M 50	M 60	M 70	M 95	M 110	M 130	M 140
REFRIGERANT		R410A	R410A	R410A	R410A	R410A	R410A	R410A	R410A
POWER SUPPLY		230/1/50	230/1/50	230/1/50	230/1/50	230/1/50	230/1/50	230/1/50	230/1/50
ACOUSTIC VERSION		B	B	B	B	B	B	B	B
CAPACITY (1)	kW	49,0	55,9	63,1	74,3	100,0	113,0	135,0	146,0
AXIAL FANS "EC"	n.	2	2	2	2	3	3	4	4
Total air flow	m ³ /h	12000	17000	16000	18000	28200	27200	37800	36000
External static pressure	Pa	0	0	0	0	0	0	0	0
Total engaged power	kW	0,80	0,79	0,83	0,78	1,16	1,23	1,47	1,61
Starting current (SA)	A	3,60	6,40	6,40	6,40	9,60	9,60	12,80	12,80
Maximum total engaged power (FLI)	kW	0,80	1,44	1,44	1,44	2,16	2,16	2,88	2,88
Maximum total absorbed current (FLA)	A	3,60	6,40	6,40	6,40	9,60	9,60	12,80	12,80

TECHNICAL DATA series DX-E L - 230/1/50

Fans with EC electric motors and LOW NOISE acoustic version

MODEL		M 11	M 14	M 17	M 20	M 25	M 30	M 35
REFRIGERANT		R410A	R410A	R410A	R410A	R410A	R410A	R410A
POWER SUPPLY		230/1/50	230/1/50	230/1/50	230/1/50	230/1/50	230/1/50	230/1/50
ACOUSTIC VERSION		L	L	L	L	L	L	L
CAPACITY (1)	kW	9,79	11,5	14,2	17,2	21,2	26,6	29,2
AXIAL FANS "EC"	n.	1	1	1	1	1	1	1
Total air flow	m ³ /h	3325	3010	3465	4480	6720	6650	6370
External static pressure	Pa	0	0	0	0	0	0	0
Total engaged power	kW	0,06	0,06	0,06	0,14	0,12	0,13	0,13
Starting current (SA)	A	1,20	1,20	1,20	1,80	3,20	3,20	3,20
Maximum total engaged power (FLI)	kW	0,18	0,18	0,18	0,40	0,72	0,72	0,72
Maximum total absorbed current (FLA)	A	1,20	1,20	1,20	1,80	3,20	3,20	3,20

MODEL		M 45	M 50	M 60	M 70	M 95	M 110	M 130	M 140
REFRIGERANT		R410A	R410A	R410A	R410A	R410A	R410A	R410A	R410A
POWER SUPPLY		230/1/50	230/1/50	230/1/50	230/1/50	230/1/50	230/1/50	230/1/50	230/1/50
ACOUSTIC VERSION		L	L	L	L	L	L	L	L
CAPACITY (1)	kW	37,5	44,1	48,6	57,1	78,3	86,6	105,0	113,0
AXIAL FANS "EC"	n.	2	2	2	2	3	3	4	4
Total air flow	m ³ /h	8400	11900	11200	12600	19740	19040	26460	25200
External static pressure	Pa	0	0	0	0	0	0	0	0
Total engaged power	kW	0,27	0,27	0,28	0,27	0,40	0,42	0,50	0,55
Starting current (SA)	A	3,60	6,40	6,40	6,40	9,60	9,60	12,80	12,80
Maximum total engaged power (FLI)	kW	0,80	1,44	1,44	1,44	2,16	2,16	2,88	2,88
Maximum total absorbed current (FLA)	A	3,60	6,40	6,40	6,40	9,60	9,60	12,80	12,80

1. Referred to condensing temperature at 50°C and ambient air temperature at 35°C.
The units highlighted in this publication contain <HFC R410A [GWP₁₀₀ 2088]> fluorinated greenhouse gas



TECHNICAL DATA series DX-E B – 400/3/50

Fans with EC electric motors and STANDARD acoustic version

MODEL		T 11	T 14	T 17	T 20	T 25	T 30	T 35
REFRIGERANT		R410A	R410A	R410A	R410A	R410A	R410A	R410A
POWER SUPPLY		400/3/50	400/3/50	400/3/50	400/3/50	400/3/50	400/3/50	400/3/50
ACOUSTIC VERSION		B	B	B	B	B	B	B
CAPACITY (1)	kW	12,2	14,8	18,4	22,1	26,8	34,3	38,2
AXIAL FANS "EC"	n.	1	1	1	1	1	1	1
Total air flow	m ³ /h	4750	4300	4950	6400	9600	9500	9100
External static pressure	Pa	0	0	0	0	0	0	0
Total engaged power	kW	0,16	0,16	0,16	0,30	0,32	0,36	0,37
Starting current (SA)	A	1,00	1,00	1,00	1,50	1,60	1,60	1,60
Maximum total engaged power (FLI)	kW	0,63	0,63	0,63	0,94	0,97	0,97	0,97
Maximum total absorbed current (FLA)	A	1,00	1,00	1,00	1,50	1,60	1,60	1,60

MODEL		T 45	T 50	T 60	T 70	T 95	T 110	T 130	T 140
REFRIGERANT		R410A	R410A	R410A	R410A	R410A	R410A	R410A	R410A
POWER SUPPLY		400/3/50	400/3/50	400/3/50	400/3/50	400/3/50	400/3/50	400/3/50	400/3/50
ACOUSTIC VERSION		B	B	B	B	B	B	B	B
CAPACITY (1)	kW	49,0	55,9	63,1	74,3	100,0	113,0	135,0	146,0
AXIAL FANS "EC"	n.	2	2	2	2	3	3	4	4
Total air flow	m ³ /h	12000	17000	16000	18000	28200	27200	37800	36000
External static pressure	Pa	0	0	0	0	0	0	0	0
Total engaged power	kW	0,61	0,75	0,80	0,74	1,10	1,17	1,40	1,54
Starting current (SA)	A	3,00	3,20	3,20	3,20	4,80	4,80	6,40	6,40
Maximum total engaged power (FLI)	kW	1,89	1,94	1,94	1,94	2,91	2,91	3,88	3,88
Maximum total absorbed current (FLA)	A	3,00	3,20	3,20	3,20	4,80	4,80	6,40	6,40

TECHNICAL DATA serie DX-E L – 400/3/50

Fans with EC electric motors and LOW NOISE acoustic version

MODEL		T 11	T 14	T 17	T 20	T 25	T 30	T 35
REFRIGERANT		R410A	R410A	R410A	R410A	R410A	R410A	R410A
POWER SUPPLY		400/3/50	400/3/50	400/3/50	400/3/50	400/3/50	400/3/50	400/3/50
ACOUSTIC VERSION		L	L	L	L	L	L	L
CAPACITY (1)	kW	9,79	11,5	14,2	17,2	21,2	26,6	29,2
AXIAL FANS "EC"	n.	1	1	1	1	1	1	1
Total air flow	m ³ /h	3325	3010	3465	4480	6720	6650	6370
External static pressure	Pa	0	0	0	0	0	0	0
Total engaged power	kW	0,05	0,05	0,05	0,10	0,11	0,12	0,13
Starting current (SA)	A	1,00	1,00	1,00	1,50	1,60	1,60	1,60
Maximum total engaged power (FLI)	kW	0,63	0,63	0,63	0,94	0,97	0,97	0,97
Maximum total absorbed current (FLA)	A	1,00	1,00	1,00	1,50	1,60	1,60	1,60

MODEL		T 45	T 50	T 60	T 70	T 95	T 110	T 130	T 140
REFRIGERANT		R410A	R410A	R410A	R410A	R410A	R410A	R410A	R410A
POWER SUPPLY		400/3/50	400/3/50	400/3/50	400/3/50	400/3/50	400/3/50	400/3/50	400/3/50
ACOUSTIC VERSION		L	L	L	L	L	L	L	L
CAPACITY (1)	kW	37,5	44,1	48,6	57,1	78,3	86,6	105,0	113,0
AXIAL FANS "EC"	n.	2	2	2	2	3	3	4	4
Total air flow	m ³ /h	8400	11900	11200	12600	19740	19040	26460	25200
External static pressure	Pa	0	0	0	0	0	0	0	0
Total engaged power	kW	0,21	0,26	0,27	0,25	0,38	0,40	0,48	0,53
Starting current (SA)	A	3,00	3,20	3,20	3,20	4,80	4,80	6,40	6,40
Maximum total engaged power (FLI)	kW	1,89	1,94	1,94	1,94	2,91	2,91	3,88	3,88
Maximum total absorbed current (FLA)	A	3,00	3,20	3,20	3,20	4,80	4,80	6,40	6,40

1. Referred to condensing temperature at 50°C and ambient air temperature at 35°C.
The units highlighted in this publication contain <HFC R410A [GWP₁₀₀ 2088]> fluorinated greenhouse gas



TECHNICAL DATA series DX-E B – 220/1/60

Fans with EC electric motors and STANDARD acoustic version

MODEL		M 11	M 14	M 17	M 20	M 25	M 30	M 35
REFRIGERANT		R410A	R410A	R410A	R410A	R410A	R410A	R410A
POWER SUPPLY		220/1/60	220/1/60	220/1/60	220/1/60	220/1/60	220/1/60	220/1/60
ACOUSTIC VERSION		B	B	B	B	B	B	B
CAPACITY (1)	kW	12,2	14,8	18,4	22,1	26,8	34,3	38,2
AXIAL FANS "EC"	n.	1	1	1	1	1	1	1
Total air flow	m ³ /h	4750	4300	4950	6400	9600	9500	9100
External static pressure	Pa	0	0	0	0	0	0	0
Total engaged power	kW	0,17	0,17	0,17	0,40	0,34	0,38	0,39
Starting current (SA)	A	1,25	1,25	1,25	1,88	3,35	3,35	3,35
Maximum total engaged power (FLI)	kW	0,18	0,18	0,18	0,40	0,72	0,72	0,72
Maximum total absorbed current (FLA)	A	1,25	1,25	1,25	1,88	3,35	3,35	3,35

MODEL		M 45	M 50	M 60	M 70	M 95	M 110	M 130	M 140
REFRIGERANT		R410A	R410A	R410A	R410A	R410A	R410A	R410A	R410A
POWER SUPPLY		220/1/60	220/1/60	220/1/60	220/1/60	220/1/60	220/1/60	220/1/60	220/1/60
ACOUSTIC VERSION		B	B	B	B	B	B	B	B
CAPACITY (1)	kW	49,0	55,9	63,1	74,3	100,0	113,0	135,0	146,0
AXIAL FANS "EC"	n.	2	2	2	2	3	3	4	4
Total air flow	m ³ /h	12000	17000	16000	18000	28200	27200	37800	36000
External static pressure	Pa	0	0	0	0	0	0	0	0
Total engaged power	kW	0,80	0,79	0,83	0,78	1,16	1,23	1,47	1,61
Starting current (SA)	A	3,76	6,69	6,69	6,69	10,00	10,00	13,40	13,40
Maximum total engaged power (FLI)	kW	0,80	1,44	1,44	1,44	2,16	2,16	2,88	2,88
Maximum total absorbed current (FLA)	A	3,76	6,69	6,69	6,69	10,00	10,00	13,40	13,40

TECHNICAL DATA series DX-E L – 220/1/60

Fans with EC electric motors and LOW NOISE acoustic version

MODEL		M 11	M 14	M 17	M 20	M 25	M 30	M 35
REFRIGERANT		R410A	R410A	R410A	R410A	R410A	R410A	R410A
POWER SUPPLY		220/1/60	220/1/60	220/1/60	220/1/60	220/1/60	220/1/60	220/1/60
ACOUSTIC VERSION		L	L	L	L	L	L	L
CAPACITY (1)	kW	9,79	11,5	14,2	17,2	21,2	26,6	29,2
AXIAL FANS "EC"	n.	1	1	1	1	1	1	1
Total air flow	m ³ /h	3325	3010	3465	4480	6720	6650	6370
External static pressure	Pa	0	0	0	0	0	0	0
Total engaged power	kW	0,06	0,06	0,06	0,14	0,12	0,13	0,13
Starting current (SA)	A	1,25	1,25	1,25	1,88	3,35	3,35	3,35
Maximum total engaged power (FLI)	kW	0,18	0,18	0,18	0,40	0,72	0,72	0,72
Maximum total absorbed current (FLA)	A	1,25	1,25	1,25	1,88	3,35	3,35	3,35

MODEL		M 45	M 50	M 60	M 70	M 95	M 110	M 130	M 140
REFRIGERANT		R410A	R410A	R410A	R410A	R410A	R410A	R410A	R410A
POWER SUPPLY		220/1/60	220/1/60	220/1/60	220/1/60	220/1/60	220/1/60	220/1/60	220/1/60
ACOUSTIC VERSION		L	L	L	L	L	L	L	L
CAPACITY (1)	kW	37,5	44,1	48,6	57,1	78,3	86,6	105,0	113,0
AXIAL FANS "EC"	n.	2	2	2	2	3	3	4	4
Total air flow	m ³ /h	8400	11900	11200	12600	19740	19040	26460	25200
External static pressure	Pa	0	0	0	0	0	0	0	0
Total engaged power	kW	0,27	0,27	0,27	0,27	0,40	0,42	0,50	0,55
Starting current (SA)	A	3,76	6,69	6,69	6,69	10,00	10,00	13,40	13,40
Maximum total engaged power (FLI)	kW	0,80	1,44	1,44	1,44	2,16	2,16	2,88	2,88
Maximum total absorbed current (FLA)	A	3,76	6,69	6,69	6,69	10,00	10,00	13,40	13,40

1. Referred to condensing temperature at 50°C and ambient air temperature at 35°C.
The units highlighted in this publication contain <HFC R410A [GWP₁₀₀ 2088]> fluorinated greenhouse gas

TECHNICAL DATA series DX-E B – 265/1/60

Fans with EC electric motors and STANDARD acoustic version

MODEL		M 11	M 14	M 17	M 20	M 25	M 30	M 35
REFRIGERANT		R410A	R410A	R410A	R410A	R410A	R410A	R410A
POWER SUPPLY		265/1/60	265/1/60	265/1/60	265/1/60	265/1/60	265/1/60	265/1/60
ACOUSTIC VERSION		B	B	B	B	B	B	B
CAPACITY (1)	kW	12,2	14,8	18,4	22,1	26,8	34,3	38,2
AXIAL FANS "EC"	n.	1	1	1	1	1	1	1
Total air flow	m ³ /h	4750	4300	4950	6400	9600	9500	9100
External static pressure	Pa	0	0	0	0	0	0	0
Total engaged power	kW	0,17	0,17	0,17	0,40	0,34	0,38	0,39
Starting current (SA)	A	1,04	1,04	1,04	1,56	2,78	2,78	2,78
Maximum total engaged power (FLI)	kW	0,18	0,18	0,18	0,40	0,72	0,72	0,72
Maximum total absorbed current (FLA)	A	1,04	1,04	1,04	1,56	2,78	2,78	2,78

MODEL		M 45	M 50	M 60	M 70	M 95	M 110	M 130	M 140
REFRIGERANT		R410A	R410A	R410A	R410A	R410A	R410A	R410A	R410A
POWER SUPPLY		265/1/60	265/1/60	265/1/60	265/1/60	265/1/60	265/1/60	265/1/60	265/1/60
ACOUSTIC VERSION		B	B	B	B	B	B	B	B
CAPACITY (1)	kW	49,0	55,9	63,1	74,3	100,0	113,0	135,0	146,0
AXIAL FANS "EC"	n.	2	2	2	2	3	3	4	4
Total air flow	m ³ /h	12000	17000	16000	18000	28200	27200	37800	36000
External static pressure	Pa	0	0	0	0	0	0	0	0
Total engaged power	kW	0,80	0,79	0,83	0,78	1,16	1,23	1,47	1,61
Starting current (SA)	A	3,12	5,55	5,55	5,55	8,33	8,33	11,10	11,10
Maximum total engaged power (FLI)	kW	0,80	1,44	1,44	1,44	2,16	2,16	2,88	2,88
Maximum total absorbed current (FLA)	A	3,12	5,55	5,55	5,55	8,33	8,33	11,10	11,10

TECHNICAL DATA series DX-E L – 265/1/60

Fans with EC electric motors and LOW NOISE acoustic version

MODEL		M 11	M 14	M 17	M 20	M 25	M 30	M 35
REFRIGERANT		R410A	R410A	R410A	R410A	R410A	R410A	R410A
POWER SUPPLY		265/1/60	265/1/60	265/1/60	265/1/60	265/1/60	265/1/60	265/1/60
ACOUSTIC VERSION		L	L	L	L	L	L	L
CAPACITY (1)	kW	9,79	11,5	14,2	17,2	21,2	26,6	29,2
AXIAL FANS "EC"	n.	1	1	1	1	1	1	1
Total air flow	m ³ /h	3325	3010	3465	4480	6720	6650	6370
External static pressure	Pa	0	0	0	0	0	0	0
Total engaged power	kW	0,06	0,06	0,06	0,14	0,12	0,13	0,13
Starting current (SA)	A	1,04	1,04	1,04	1,56	2,77	2,77	2,77
Maximum total engaged power (FLI)	kW	0,18	0,18	0,18	0,40	0,72	0,72	0,72
Maximum total absorbed current (FLA)	A	1,04	1,04	1,04	1,56	2,77	2,77	2,77

MODEL		M 45	M 50	M 60	M 70	M 95	M 110	M 130	M 140
REFRIGERANT		R410A	R410A	R410A	R410A	R410A	R410A	R410A	R410A
POWER SUPPLY		265/1/60	265/1/60	265/1/60	265/1/60	265/1/60	265/1/60	265/1/60	265/1/60
ACOUSTIC VERSION		L	L	L	L	L	L	L	L
CAPACITY (1)	kW	37,5	44,1	48,6	57,1	78,3	86,6	105,0	113,0
AXIAL FANS "EC"	n.	2	2	2	2	3	3	4	4
Total air flow	m ³ /h	8400	11900	11200	12600	19740	19040	26460	25200
External static pressure	Pa	0	0	0	0	0	0	0	0
Total engaged power	kW	0,27	0,27	0,28	0,27	0,40	0,42	0,50	0,55
Starting current (SA)	A	3,12	5,55	5,55	5,55	8,33	8,33	11,10	11,10
Maximum total engaged power (FLI)	kW	0,80	1,44	1,44	1,44	2,16	2,16	2,88	2,88
Maximum total absorbed current (FLA)	A	3,12	5,55	5,55	5,55	8,33	8,33	11,10	11,10

1. Referred to condensing temperature at 50°C and ambient air temperature at 35°C.
The units highlighted in this publication contain <HFC R410A [GWP₁₀₀ 2088]> fluorinated greenhouse gas

TECHNICAL DATA series DX-E B – 380/3/60

Fans with EC electric motors and STANDARD acoustic version

MODEL		T 11	T 14	T 17	T 20	T 25	T 30	T 35
REFRIGERANT		R410A	R410A	R410A	R410A	R410A	R410A	R410A
POWER SUPPLY		380/3/60	380/3/60	380/3/60	380/3/60	380/3/60	380/3/60	380/3/60
ACOUSTIC VERSION		B	B	B	B	B	B	B
CAPACITY (1)	kW	12,2	14,8	18,4	22,1	26,8	34,3	38,2
AXIAL FANS "EC"	n.	1	1	1	1	1	1	1
Total air flow	m³/h	4750	4300	4950	6400	9600	9500	9100
External static pressure	Pa	0	0	0	0	0	0	0
Total engaged power	kW	0,16	0,16	0,16	0,30	0,32	0,36	0,37
Starting current (SA)	A	1,05	1,05	1,05	1,58	1,68	1,68	1,68
Maximum total engaged power (FLI)	kW	0,63	0,63	0,63	0,94	0,97	0,97	0,97
Maximum total absorbed current (FLA)	A	1,05	1,05	1,05	1,58	1,68	1,68	1,68

MODEL		T 45	T 50	T 60	T 70	T 95	T 110	T 130	T 140
REFRIGERANT		R410A	R410A	R410A	R410A	R410A	R410A	R410A	R410A
POWER SUPPLY		380/3/60	380/3/60	380/3/60	380/3/60	380/3/60	380/3/60	380/3/60	380/3/60
ACOUSTIC VERSION		B	B	B	B	B	B	B	B
CAPACITY (1)	kW	49,0	55,9	63,1	74,3	100,0	113,0	135,0	146,0
AXIAL FANS "EC"	n.	2	2	2	2	3	3	4	4
Total air flow	m³/h	12000	17000	16000	18000	28200	27200	37800	36000
External static pressure	Pa	0	0	0	0	0	0	0	0
Total engaged power	kW	0,61	0,75	0,80	0,74	1,10	1,17	1,40	1,54
Starting current (SA)	A	3,16	3,37	3,37	3,37	5,05	5,05	6,74	6,74
Maximum total engaged power (FLI)	kW	1,89	1,94	1,94	1,94	2,91	2,91	3,88	3,88
Maximum total absorbed current (FLA)	A	3,16	3,37	3,37	3,37	5,05	5,05	6,74	6,74

TECHNICAL DATA series DX-E L – 380/3/60

Fans with EC electric motors and LOW NOISE acoustic version

MODEL		T 11	T 14	T 17	T 20	T 25	T 30	T 35
REFRIGERANT		R410A	R410A	R410A	R410A	R410A	R410A	R410A
POWER SUPPLY		380/3/60	380/3/60	380/3/60	380/3/60	380/3/60	380/3/60	380/3/60
ACOUSTIC VERSION		L	L	L	L	L	L	L
CAPACITY (1)	kW	9,79	11,5	14,2	17,2	21,2	26,6	29,1
AXIAL FANS "EC"	n.	1	1	1	1	1	1	1
Total air flow	m³/h	3325	3010	3465	4480	6720	6650	6370
External static pressure	Pa	0	0	0	0	0	0	0
Total engaged power	kW	0,05	0,05	0,05	0,10	0,11	0,12	0,13
Starting current (SA)	A	1,05	1,05	1,05	1,58	1,68	1,68	1,68
Maximum total engaged power (FLI)	kW	0,63	0,63	0,63	0,94	0,97	0,97	0,97
Maximum total absorbed current (FLA)	A	1,05	1,05	1,05	1,58	1,68	1,68	1,68

MODEL		T 45	T 50	T 60	T 70	T 95	T 110	T 130	T 140
REFRIGERANT		R410A	R410A	R410A	R410A	R410A	R410A	R410A	R410A
POWER SUPPLY		380/3/60	380/3/60	380/3/60	380/3/60	380/3/60	380/3/60	380/3/60	380/3/60
ACOUSTIC VERSION		L	L	L	L	L	L	L	L
CAPACITY (1)	kW	37,5	44,1	48,6	57,1	78,3	86,6	105,0	113,0
AXIAL FANS "EC"	n.	2	2	2	2	3	3	4	4
Total air flow	m³/h	8400	11900	11200	12600	19740	19040	26460	25200
External static pressure	Pa	0	0	0	0	0	0	0	0
Total engaged power	kW	0,21	0,26	0,27	0,25	0,38	0,40	0,48	0,53
Starting current (SA)	A	3,16	3,37	3,37	3,37	5,05	5,05	6,74	6,74
Maximum total engaged power (FLI)	kW	1,89	1,94	1,94	1,94	2,91	2,91	3,88	3,88
Maximum total absorbed current (FLA)	A	3,16	3,37	3,37	3,37	5,05	5,05	6,74	6,74

1. Referred to condensing temperature at 50°C and ambient air temperature at 35°C.
The units highlighted in this publication contain <HFC R410A [GWP₁₀₀ 2088]> fluorinated greenhouse gas

TECHNICAL DATA series DX-E B – 460/3/60

Fans with EC electric motors and STANDARD acoustic version

MODEL		T 11	T 14	T 17	T 20	T 25	T 30	T 35
REFRIGERANT		R410A	R410A	R410A	R410A	R410A	R410A	R410A
POWER SUPPLY		460/3/60	460/3/60	460/3/60	460/3/60	460/3/60	460/3/60	460/3/60
ACOUSTIC VERSION		B	B	B	B	B	B	B
CAPACITY (1)	kW	12,2	14,8	18,4	22,1	26,8	34,3	38,2
AXIAL FANS "EC"	n.	1	1	1	1	1	1	1
Total air flow	m ³ /h	4750	4300	4950	6400	9600	9500	9100
External static pressure	Pa	0	0	0	0	0	0	0
Total engaged power	kW	0,16	0,16	0,16	0,30	0,32	0,36	0,37
Starting current (SA)	A	0,87	0,87	0,87	1,30	1,39	1,39	1,39
Maximum total engaged power (FLI)	kW	0,63	0,63	0,63	0,94	0,97	0,97	0,97
Maximum total absorbed current (FLA)	A	0,87	0,87	0,87	1,30	1,39	1,39	1,39

MODEL		T 45	T 50	T 60	T 70	T 95	T 110	T 130	T 140
REFRIGERANT		R410A	R410A	R410A	R410A	R410A	R410A	R410A	R410A
POWER SUPPLY		460/3/60	460/3/60	460/3/60	460/3/60	460/3/60	460/3/60	460/3/60	460/3/60
ACOUSTIC VERSION		B	B	B	B	B	B	B	B
CAPACITY (1)	kW	49,0	55,9	63,1	74,3	100,0	113,0	135,0	146,0
AXIAL FANS "EC"	n.	2	2	2	2	3	3	4	4
Total air flow	m ³ /h	12000	17000	16000	18000	28200	27200	37800	36000
External static pressure	Pa	0	0	0	0	0	0	0	0
Total engaged power	kW	0,61	0,75	0,80	0,74	1,10	1,17	1,40	1,54
Starting current (SA)	A	2,61	2,78	2,78	2,78	4,17	4,17	5,57	5,57
Maximum total engaged power (FLI)	kW	1,89	1,94	1,94	1,94	2,91	2,91	3,88	3,88
Maximum total absorbed current (FLA)	A	2,61	2,78	2,78	2,78	4,17	4,17	5,57	5,57

TECHNICAL DATA series DX-E L – 460/3/60

Fans with EC electric motors and LOW NOISE acoustic version

MODEL		T 11	T 14	T 17	T 20	T 25	T 30	T 35
REFRIGERANT		R410A	R410A	R410A	R410A	R410A	R410A	R410A
POWER SUPPLY		460/3/60	460/3/60	460/3/60	460/3/60	460/3/60	460/3/60	460/3/60
ACOUSTIC VERSION		L	L	L	L	L	L	L
CAPACITY (1)	kW	9,79	11,5	14,2	17,2	21,2	26,6	29,2
AXIAL FANS "EC"	n.	1	1	1	1	1	1	1
Total air flow	m ³ /h	3325	3010	3465	4480	6720	6650	6370
External static pressure	Pa	0	0	0	0	0	0	0
Total engaged power	kW	0,05	0,05	0,05	0,10	0,11	0,12	0,13
Starting current (SA)	A	0,87	0,87	0,87	1,30	1,39	1,39	1,39
Maximum total engaged power (FLI)	kW	0,63	0,63	0,63	0,94	0,97	0,97	0,97
Maximum total absorbed current (FLA)	A	0,87	0,87	0,87	1,30	1,39	1,39	1,39

MODEL		T 45	T 50	T 60	T 70	T 95	T 110	T 130	T 140
REFRIGERANT		R410A	R410A	R410A	R410A	R410A	R410A	R410A	R410A
POWER SUPPLY		460/3/60	460/3/60	460/3/60	460/3/60	460/3/60	460/3/60	460/3/60	460/3/60
ACOUSTIC VERSION		L	L	L	L	L	L	L	L
CAPACITY (1)	kW	37,5	44,1	48,6	57,1	78,3	86,6	105,0	113,0
AXIAL FANS "EC"	n.	2	2	2	2	3	3	4	4
Total air flow	m ³ /h	8400	11900	11200	12600	19740	19040	26460	25200
External static pressure	Pa	0	0	0	0	0	0	0	0
Total engaged power	kW	0,21	0,26	0,27	0,25	0,38	0,40	0,48	0,53
Starting current (SA)	A	2,61	2,78	2,78	2,78	4,17	4,17	5,57	5,57
Maximum total engaged power (FLI)	kW	1,89	1,94	1,94	1,94	2,91	2,91	3,88	3,88
Maximum total absorbed current (FLA)	A	2,61	2,78	2,78	2,78	4,17	4,17	5,57	5,57

1. Referred to condensing temperature at 50°C and ambient air temperature at 35°C.
The units highlighted in this publication contain <HFC R410A [GWP₁₀₀ 2088]> fluorinated greenhouse gas

ACOUSTIC DATA

STANDARD ACOUSTIC VERSION

MODEL		11	14	17	20	25	30	35
ACOUSTIC VERSION		B	B	B	B	B	B	B
Sound power level [Lw] ISO 9614-2	dB(A)	76	76	77	79	81	81	81
Average sound pressure level [Lpm] ISO 3744	dB(A)							
At 1 m	dB(A)	62	62	63	65	66	66	66
At 5 m	dB(A)	50	50	51	53	55	55	55
At 10 m	dB(A)	45	45	46	48	50	50	50

MODEL		45	50	60	70	95	110	130	140
ACOUSTIC VERSION		B	B	B	B	B	B	B	B
Sound power level [Lw] ISO 9614-2	dB(A)	82	84	84	85	86	86	84	88
Average sound pressure level [Lpm] ISO 3744	dB(A)								
At 1 m	dB(A)	67	68	68	69	69	69	66	70
At 5 m	dB(A)	56	58	58	59	60	60	57	61
At 10 m	dB(A)	51	53	53	53	54	54	52	56

LOW NOISE ACOUSTIC VERSION

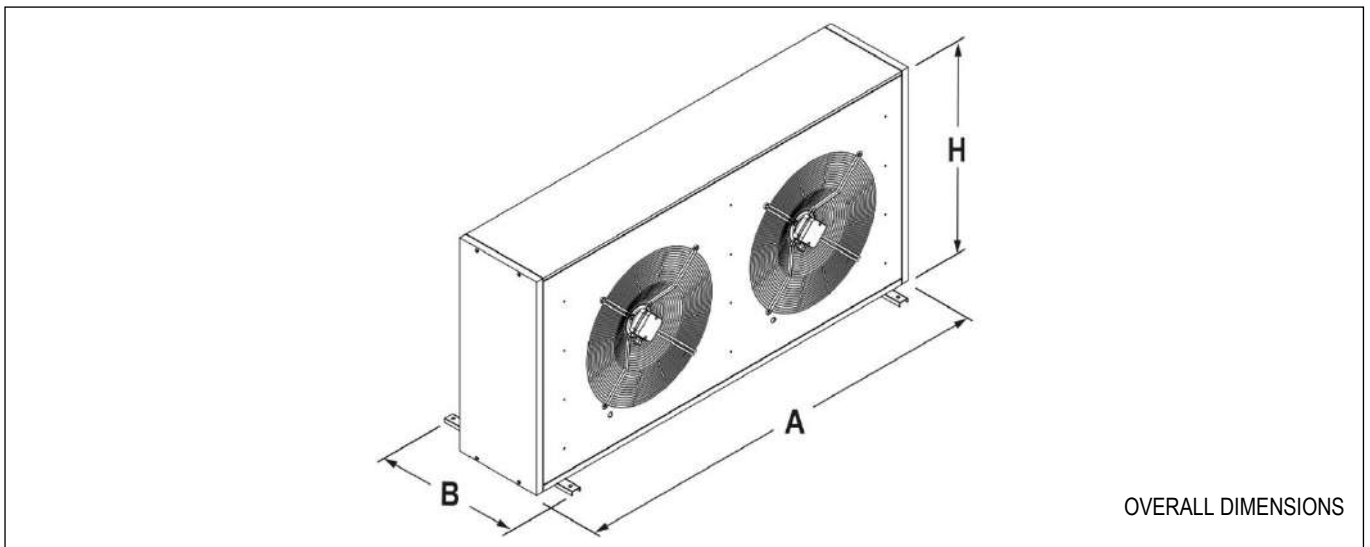
MODEL		11	14	17	20	25	30	35
ACOUSTIC VERSION		L	L	L	L	L	L	L
Sound power level [Lw] ISO 9614-2	dB(A)	68	68	68	70	73	73	73
Average sound pressure level [Lpm] ISO 3744	dB(A)							
At 1 m	dB(A)	54	54	54	56	58	58	58
At 5 m	dB(A)	42	42	42	44	47	47	47
At 10 m	dB(A)	37	37	37	39	42	42	42

MODEL		45	50	60	70	95	110	130	140
ACOUSTIC VERSION		L	L	L	L	L	L	L	L
Sound power level [Lw] ISO 9614-2	dB(A)	73	76	76	76	78	78	79	79
Average sound pressure level [Lpm] ISO 3744	dB(A)								
At 1 m	dB(A)	58	60	60	60	61	61	61	61
At 5 m	dB(A)	47	50	50	50	52	52	52	52
At 10 m	dB(A)	42	45	45	44	46	46	47	47

DIMENSIONS, WEIGHTS & REFRIGERANT CONNECTIONS

MODEL		11	14	17	20	25	30	35
A - Length	mm	875	875	1200	1200	1400	1400	1400
B - Width	mm	540	540	540	540	665	665	665
H - Height	mm	727	727	727	727	1027	1027	1027
REFRIGERANT CONNECTIONS								
Liquid - ODS	Ø mm	12	12	12	12	16	16	16
Gas - ODS	Ø mm	16	16	16	16	18	18	18
NET WEIGHT	kg	51	55	66	72	102	111	120

MODEL		45	50	60	70	95	110	130	140
A - Length	mm	1600	1850	1850	2320	3490	3490	4540	4540
B - Width	mm	665	665	665	665	665	665	665	665
H - Height	mm	1027	1027	1027	1150	1150	1150	1150	1150
REFRIGERANT CONNECTIONS									
Liquid - ODS	Ø mm	16	18	18	18	22	22	28	28
Gas - ODS	Ø mm	18	22	22	22	35	35	35	35
NET WEIGHT	kg	153	175	188	214	240	270	320	350



REFRIGERANT CHARGE

The condenser is supplied with seal charge. **Refrigerant must be charged.**

The following table shows the refrigerant charge for the condenser only; the indoor unit, the connections pipes and optional are excluded.

MODEL		11	14	17	20	25	30	35
REFRIGERANT	mm	R410A	R410A	R410A	R410A	R410A	R410A	R410A
Refrigerant charge (1)	kg	0,8	1,2	1,7	1,7	2,0	3,0	4,0
F Gas - CO ₂ equivalent	t	1,67	2,51	3,55	3,55	4,18	6,26	8,35

MODEL		45	50	60	70	95	110	130	140
REFRIGERANT	mm	R410A	R410A	R410A	R410A	R410A	R410A	R410A	R410A
Refrigerant charge (1)	kg	4,7	4,1	5,5	7,7	8,7	11,6	11,6	15,4
F Gas - CO ₂ equivalent	t	9,81	8,56	11,48	16,08	18,17	24,22	24,22	32,16

1. Refrigerant charge required for the condenser operation only. Internal unit, connections pipes and optional are excluded.

RECOMMENDED REFRIGERANT LINES

Diameter of the recommended refrigerant lines for connection to MEHITS S.p.A. air conditioners and referred to "EQUIVALENT LENGHT". Please always refer to the "INSTALLATION DIAGRAM" to properly select all necessary components. Verify the need to use pressure limiting devices (safety valves) where not already provided for by Directive 2014/68 / EU.

Nominal diameter: Refrigerant connection of the indoor unit. In some cases, the diameter of the refrigerant lines may not correspond with the nominal diameter. This is completely normal. It is enough to provide a reduction fitting to adjust the diameter.

"SI" INTERNATIONAL SYSTEM PIPES DIAMETERS

SI system	Diameter	mm	6	8	10	12	16	18	22	28	35
	Thickness	mm	1	1	1	1	1	1	1	1,5	1,5

INVERTER COMPRESSORS

Model	Line	Nominal diameter Ø [mm]	EQUIVALENT LENGHT FOR INVERTER COMPRESSORS R410A									
			5[m]	10[m]	15[m]	20[m]	25[m]	30[m]	35[m]	40[m]	45[m]	50[m]
25	Gas	16	18mm						22mm			
	Liquid	16	16mm						18mm			
40	Gas	18	18mm				22mm					
	Liquid	16	18mm				22mm					
012 M1 S	Gas	12	12mm				16mm					
	Liquid	12	12mm				16mm					
018 M1 S	Gas	16	16mm				18mm					
	Liquid	12	12mm	16mm				18mm				
022 M1 S	Gas	16	16mm				18mm					
	Liquid	16	16mm				18mm					
030 M1 S	Gas	18	18mm				22mm					
	Liquid	16	16mm				18mm					
047 M1 S	Gas	22	22mm				22mm					
	Liquid	22	22mm				22mm					
042 M2 D	Gas	16	16mm				18mm					
	Liquid	16	16mm				18mm					
068 M2 D	Gas	18	18mm				22mm					
	Liquid	16	16mm				18mm					
094 M2 D	Gas	22	22mm				28mm					
	Liquid	22	22mm				28mm					
120 M4 D	Gas	28	22mm				28mm					
	Liquid	22	22mm				28mm					
150 M4 D	Gas	28	22mm				28mm					
	Liquid	22	22mm				28mm					

For equivalent lengths over 50m, please contact the Manufacturer's Sales Office.

ON/OFF COMPRESSORS

Model	Line	Nominal diameter Ø [mm]	EQUIVALENT LENGHT FOR ON/OFF COMPRESSORS R410A									
			5[m]	10[m]	15[m]	20[m]	25[m]	30[m]	35[m]	40[m]	45[m]	50[m]
007 P1 S	Gas	12	12mm									
	Liquid	12	12mm									
009 P1 S	Gas	12	12mm									
	Liquid	12	12mm									
011 P1 S	Gas	12	12mm				16mm					
	Liquid	12	12mm				16mm					
014 P1 S	Gas	16	16mm				16mm					
	Liquid	12	12mm				16mm					
016 P1 S	Gas	16	16mm				16mm					
	Liquid	12	12mm				16mm					
020 P1 S	Gas	16	16mm				18mm					
	Liquid	16	16mm				18mm					
022 P1 S	Gas	16	16mm				18mm					
	Liquid	16	16mm				18mm					

BVE2 DX

Model	Line	Nominal diameter Ø [mm]	EQUIVALENT LENGHT FOR ON/OFF COMPRESSORS R410A								
			5[m]	10[m]	15[m]	20[m]	25[m]	30[m]	35[m]	40[m]	45[m]
026 P1 S	Gas	22	18mm							22mm	
	Liquid	16	16mm				18mm				
032 P1 S	Gas	22	18mm				22mm				
	Liquid	16	16mm				18mm				
037 P1 S	Gas	22	18mm			22mm					
	Liquid	16	16mm			18mm					
041 P1 S	Gas	22	22mm								
	Liquid	22	22mm								
045 P1 S	Gas	22	22mm								
	Liquid	22	22mm								
039 P2 D	Gas	16	16mm					18mm			
	Liquid	16	16mm								
048 P2 D	Gas	16	16mm			18mm					
	Liquid	16	16mm				18mm				
055 P2 D	Gas	22	18mm					22mm			
	Liquid	16	16mm				18mm				
062 P2 D	Gas	22	18mm			22mm					
	Liquid	16	16mm			18mm					
075 P2 D	Gas	22	22mm								
	Liquid	22	22mm								
082 P2 D	Gas	22	22mm								
	Liquid	22	22mm								
092 P2 D	Gas	22	22mm								
	Liquid	22	22mm								
102 P2 D	Gas	22	22mm					28mm			
	Liquid	22	22mm								
117 P4 D	Gas	28	22mm				28mm				
	Liquid	22	22mm								
146 P4 D	Gas	28	22mm			28mm					
	Liquid	22	22mm				28mm				

For equivalent lengths over 50m, please contact the Manufacturer's Sales Office.

“IMPERIAL” SYSTEM PIPES DIAMETERS

IMPERIAL system	Diameter	inch	1/4"	3/8"	1/2"	5/8"	3/4"	7/8"	1"	1 1/8"	1 3/8"
		mm	mm	6,35	9,52	12,7	15,87	19,05	22,22	25,4	28,57
	Thickness	mm	1	1	1	1	1	1	1	1,25	1,25

INVERTER COMPRESSORS

Model	Line	Nominal diameter Ø [mm]	EQUIVALENT LENGHT FOR INVERTER COMPRESSORS R410A									
			15[ft] 5[m]	35[ft] 10[m]	50[ft] 15[m]	65[ft] 20[m]	80[ft] 25[m]	100[ft] 30[m]	115[ft] 35[m]	130[ft] 40[m]	150[ft] 45[m]	165[ft] 50[m]
25	Gas	16	3/4"					7/8"				
	Liquid	16	5/8"					3/4"				
40	Gas	18	3/4"			7/8"						
	Liquid	16	5/8"			3/4"						
012 M1 S	Gas	12	1/2"					5/8"				
	Liquid	12						1/2"				
018 M1 S	Gas	16	5/8"					3/4"				
	Liquid	12	1/2"			5/8"						
022 M1 S	Gas	16	5/8"					3/4"				
	Liquid	16						5/8"				
030 M1 S	Gas	18	3/4"					7/8"				
	Liquid	16	5/8"					3/4"				
047 M1 S	Gas	22						7/8"				
	Liquid	22						7/8"				
042 M2 D	Gas	16	5/8"					3/4"				
	Liquid	16						5/8"				
068 M2 D	Gas	18	3/4"			7/8"						
	Liquid	16	5/8"			3/4"						
094 M2 D	Gas	22	7/8"					1"				
	Liquid	22						7/8"				
120 M4 D	Gas	28	7/8"					1"				
	Liquid	22						7/8"				
150 M4 D	Gas	28	7/8"					1"				
	Liquid	22						7/8"				

For equivalent lengths over 165ft / 50m, please contact the Manufacturer's Sales Office.

ON/OFF COMPRESSORS

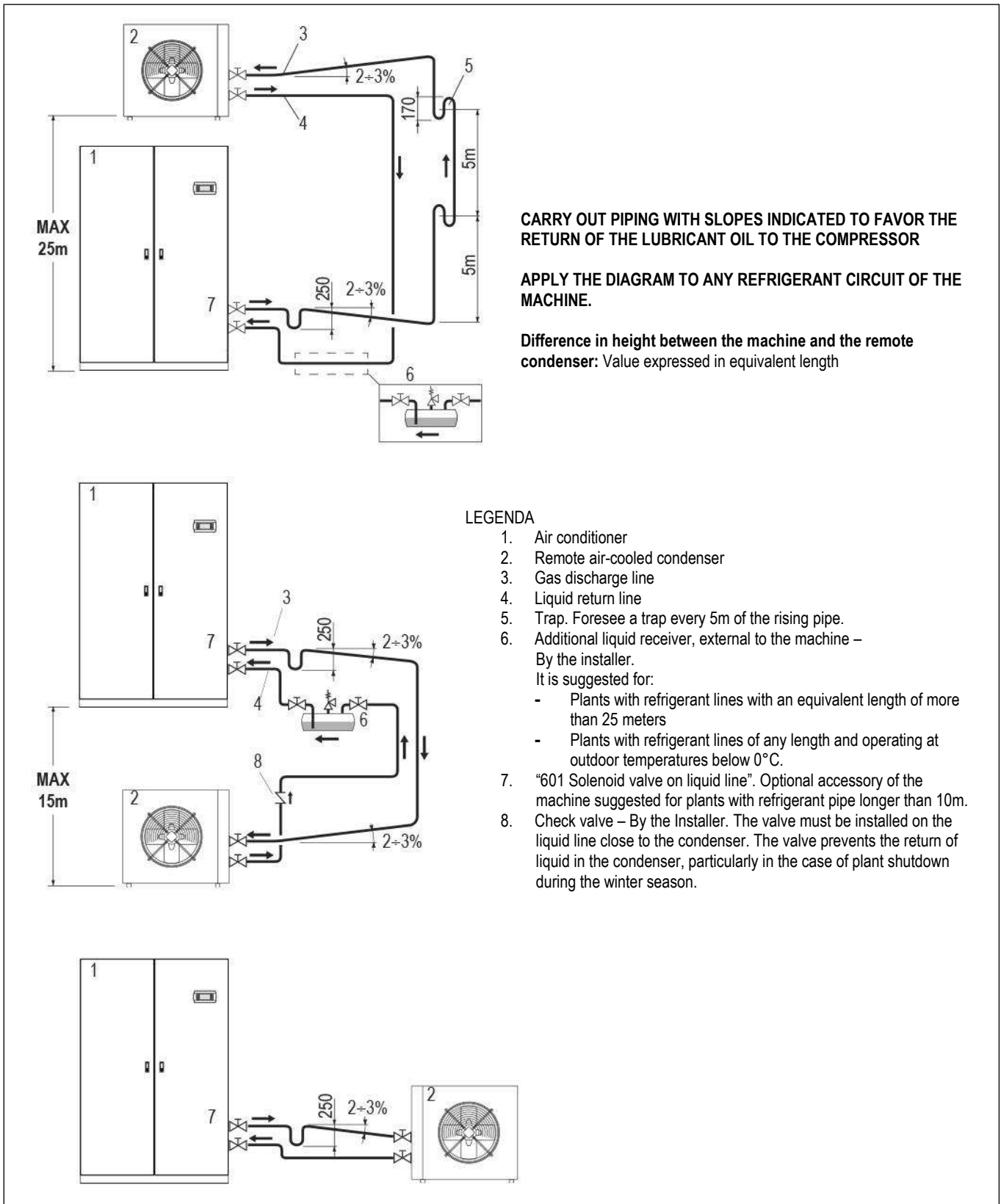
Model	Line	Nominal diameter Ø [mm]	EQUIVALENT LENGHT FOR ON/OFF COMPRESSORS R410A									
			15[ft] 5[m]	35[ft] 10[m]	50[ft] 15[m]	65[ft] 20[m]	80[ft] 25[m]	100[ft] 30[m]	115[ft] 35[m]	130[ft] 40[m]	150[ft] 45[m]	165[ft] 50[m]
007 P1 S	Gas	12						1/2"				
	Liquid	12						1/2"				
009 P1 S	Gas	12						1/2"				
	Liquid	12						1/2"				
011 P1 S	Gas	12	1/2"					5/8"				
	Liquid	12						1/2"				
014 P1 S	Gas	16						5/8"				
	Liquid	12	1/2"					5/8"				
016 P1 S	Gas	16						5/8"				
	Liquid	12	1/2"			5/8"						
020 P1 S	Gas	16	5/8"					3/4"				
	Liquid	16						5/8"				
022 P1 S	Gas	16	5/8"					3/4"				
	Liquid	16						5/8"				
026 P1 S	Gas	22	3/4"					7/8"				
	Liquid	16	5/8"					3/4"				
032 P1 S	Gas	22	3/4"					7/8"				
	Liquid	16	5/8"					3/4"				
037 P1 S	Gas	22	3/4"					7/8"				
	Liquid	16	5/8"					3/4"				

BVE2 DX

Model	Line	Nominal diameter Ø [mm]	EQUIVALENT LENGHT FOR ON/OFF COMPRESSORS R410A									
			15[ft] 5[m]	35[ft] 10[m]	50[ft] 15[m]	65[ft] 20[m]	80[ft] 25[m]	100[ft] 30[m]	115[ft] 35[m]	130[ft] 40[m]	150[ft] 45[m]	165[ft] 50[m]
041 P1 S	Gas	22	7/8"									
	Liquid	22	7/8"									
045 P1 S	Gas	22	7/8"									
	Liquid	22	7/8"									
039 P2 D	Gas	16	5/8"						3/4"			
	Liquid	16	5/8"									
048 P2 D	Gas	16	5/8"				3/4"					
	Liquid	16	5/8"						3/4"			
055 P2 D	Gas	22	3/4"						7/8"			
	Liquid	16	5/8"						3/4"			
062 P2 D	Gas	22	3/4"				7/8"					
	Liquid	16	5/8"				3/4"					
075 P2 D	Gas	22	7/8"									
	Liquid	22	7/8"									
082 P2 D	Gas	22	7/8"									
	Liquid	22	7/8"									
092 P2 D	Gas	22	7/8"									
	Liquid	22	7/8"									
102 P2 D	Gas	22	7/8"							1"		
	Liquid	22	7/8"									
117 P4 D	Gas	28	7/8"						1 1/8"			
	Liquid	22	7/8"									
146 P4 D	Gas	28	7/8"				1 1/8"					
	Liquid	22	7/8"						1 1/8"			

For equivalent lengths over 165ft / 50m, please contact the Manufacturer's Sales Office.

INSTALLATION DIAGRAM



WARNING

It is necessary to provide the refrigerant charge for the connection pipes and for the remote air-cooled condenser. Charge refrigerant in the suitable quantity and lubricant oil in 10% ratio of charged refrigerant. Lubricant oil must be the same type as the charged one as shown on the compressor plate.

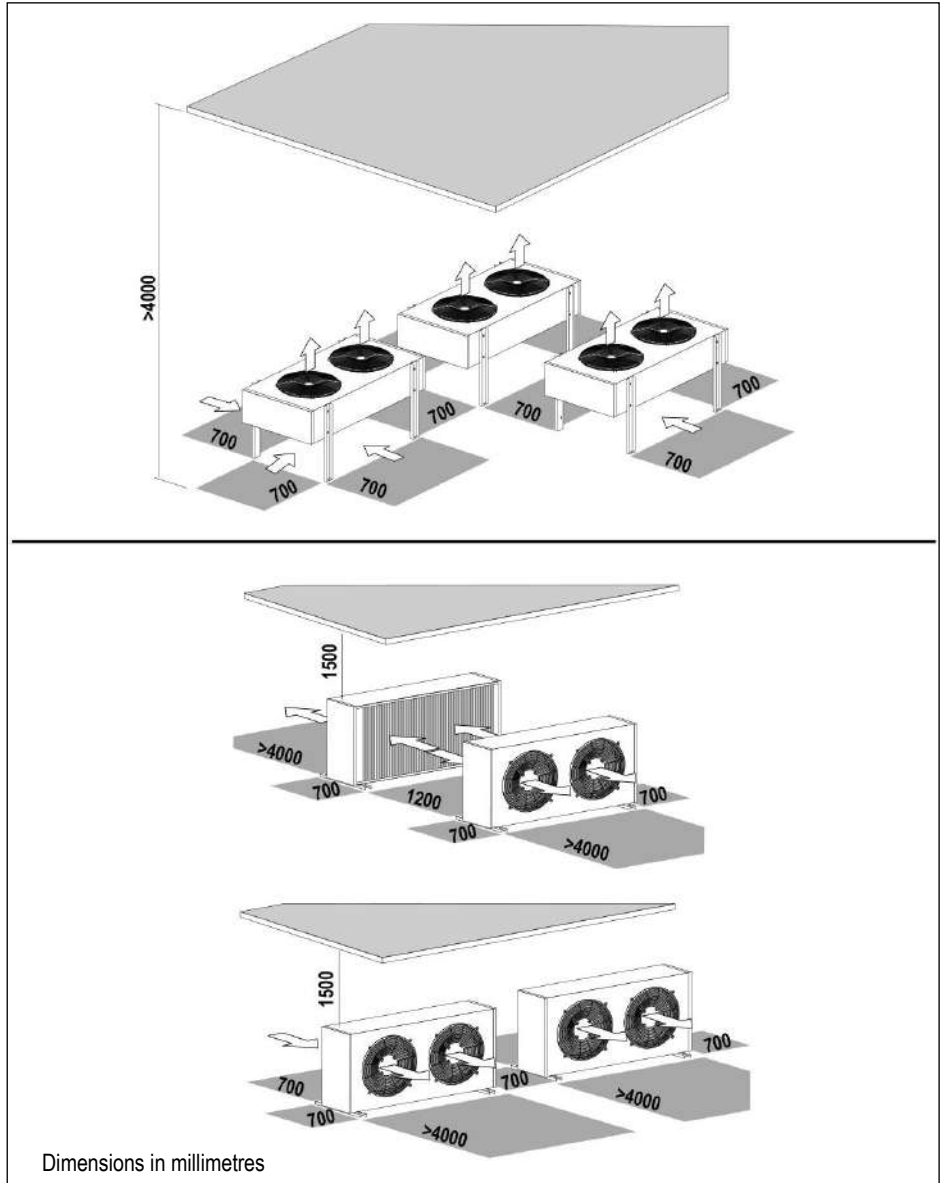
RECOMMENDATIONS FOR INSTALLATION

The machine must be placed in an access area only allowed for OPERATORS, MAINTENANCE TECHNICIAN and TECHNICIANS; otherwise it must be surrounded by a fenced perimeter placed at least two meters from the external surfaces of the machine.

Avoid suspended wall or ceiling installations.

CLEARANCE SPACE

Ensure adequate clearance spaces as indicated in below.



INSTALLATIONS IN ZONES WITH STRONG WINDS

Installation in areas protected by the wind is necessary in order to avoid that dominant winds and air recirculation can interfere with the operation of the fan and the condensation control.

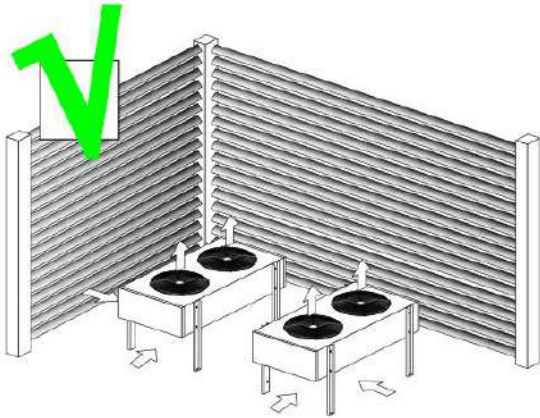
IF IT WAS NOT POSSIBLE TO INSTALL THE CONDENSER IN AN AREA PROTECTED BY THE WIND, WE RECOMMEND INSTALLATION WITH VERTICAL AIR FLOW.

Machines with horizontal air flow

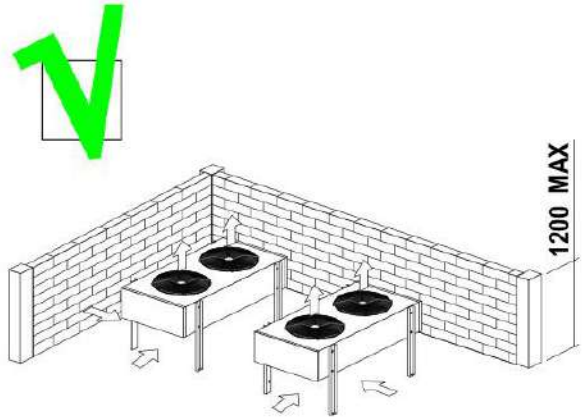
Strong winds (over 50 km/h) generate very high forces on the machine structure. It is therefore necessary to contrast these forces with appropriate anchors to the supporting structures.

OBSTACLES TO AIR CIRCULATION

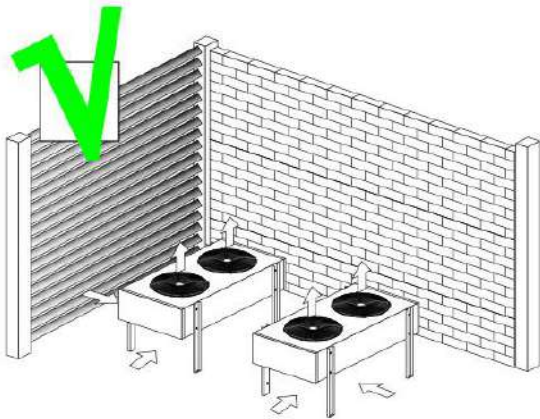
The air expelled from the machine must be easily dispersed in the environment.



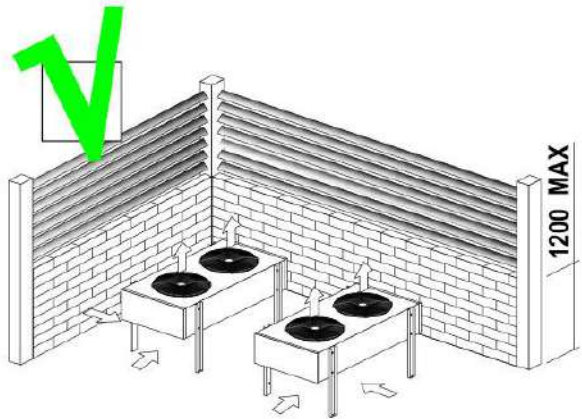
Perimeter structure with grating.
No height limits.



Walling perimeter structure.
Height limit of 1200 mm.

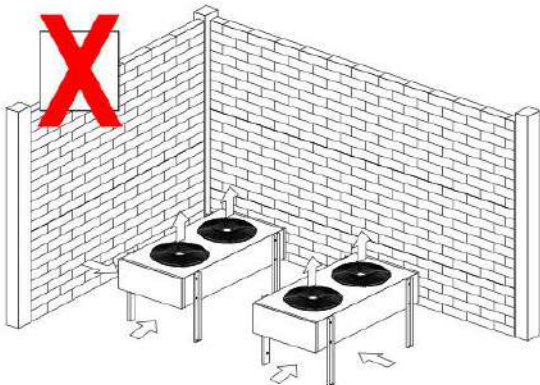


A very high walling structure is permitted but must be present a very wide finned barrier

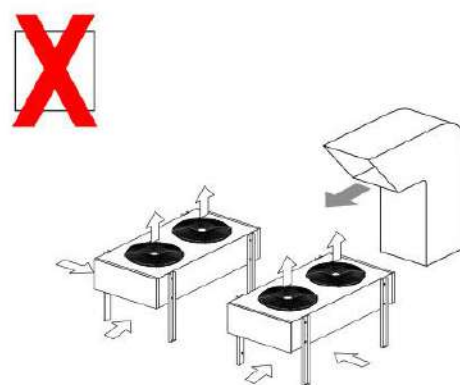


In case of walling perimeter structure with height limit of 1200 mm
The grating can overcome the wall.

Dimensions in millimetres



PROHIBITED TO SURROUND THE INSTALLATION WITH A WALL HAVING HEIGHT OVER 1200 mm.

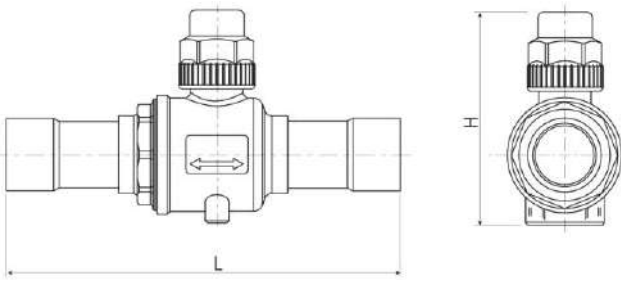


AVOID THE INSTALLATION OF THE MACHINE IN THE DISCHARGE AIR FLOW OF EXTRACTORS.

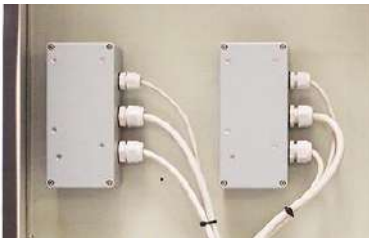
STOP VALVES

Ball valves for refrigerant line. The valves are supplied in mounting kit.

Connections ODS	Kv Factor	PS	PED.	H	L	Weight
Ø [mm]	[m³/h]	[bar]		[mm]	[mm]	[g]
12	5	45	Art. 3.3	73	121	300
16	14,5	45	Art. 3.3	80	141	410
18	14,5	45	Art. 3.3	80	141	410
22	24	45	Art. 3.3	95,5	175	760
28	40	45	Art. 3.3	101,5	206	1050
35	68	45	Art. 3.3	117	210	1518
42	100	45	Art. 3.3	127	239	2470
54	100	45	Art. 3.3	127	252	2520



CONDENSING CONTROL



UNITS WITH AXIAL FANS WITH AC ELECTRIC MOTOR

Units are equipped with electronic regulator for continuous variation of the rotation speed of the fan motor for condensing pressure control according to the 0÷10V proportional signal coming from the internal unit microprocessor control.

UNITS WITH AXIAL FANS WITH EC ELECTRIC MOTOR

Units are equipped with external rotor EC type electric motor with step-less variable speed for condensing pressure control according to the 0÷10V proportional signal coming from the internal unit microprocessor control.

POWER SUPPLY



The power supply is independent from the indoor unit.

The supply line must be equipped with all the protections and controls required by current regulations. If the condenser is powered from the indoor unit, the power line protections are already present.

ELECTRICAL CONNECTION WITH THE INDOOR UNIT

The electrical connection with the indoor unit is provided by the installer:

- 0-10Vdc signal cable for the condenser fan speed control.
- Cable for condenser fan alarm signal. The alarm signal is not available for unit model DX-A B in standard acoustic version with optional P172 Kit for air -45°C axial AC.
- Possible power supply of the condenser if provided on the indoor unit.

OPTIONAL ACCESSORIES: P682 – CU/CU CONDENSING COIL

Finned pack and tubes made of copper.

This type of heat exchanger is free from galvanic corrosion thanks to the use of a single material used for its construction.

Advantages of the Cu/Cu heat exchanger:

- High thermal conductivity;
- High corrosion resistance;

To ensure correct machine operation and the best operating conditions, it is important to keep the exchangers clean and efficient as indicated in the Installation, Use and Maintenance manuals.

The special Cu/Cu execution does not exclude maintenance and cleaning operations of the exchangers.

OPTIONAL ACCESSORIES: P683 – CATAPHORESIS CONDENSING COIL

Electrodeposition process with epoxy resin.

The coating is applied through a complete immersion in the tank, in which the coil behaves like a magnet, attracting the coating on every point of its surface.

Advantages of the Cataphoresis protective treatment:

- Cathodic deposition which guarantees 100% coating of the exchanger;
- 1-2% exchanger efficiency loss
- Thick protective film thickness at each point of the exchanger;
- Flexible and resistant protective film;

To ensure correct machine operation and the best operating conditions, it is important to keep the exchangers clean and efficient as indicated in the Installation, Use and Maintenance manuals.

The protective treatment does not exclude maintenance and cleaning operations of the exchangers.

OPTIONAL ACCESSORIES: P684 - BLYGOLD® CONDENSING COIL

Coating of the coil with polyurethane resins and aluminum pigments applied with spray painting.

Advantages of the Blygold® protective treatment:

- Spray painting of finned pack, frame and manifolds;
- 0,5-3% exchanger efficiency loss;
- Resistant to chemical and atmospheric agents;
- Resistant to high temperatures;

To ensure correct machine operation and the best operating conditions, it is important to keep the exchangers clean and efficient as indicated in the Installation, Use and Maintenance manuals.

The protective treatment does not exclude maintenance and cleaning operations of the exchangers.

OPTIONAL ACCESSORIES: P172 - KIT FOR AIR -45°C AXIAL AC

The optional is available only for condensers DX-A B in standard acoustic version with AC electric motors.

The system is necessary for the correct machine start up and operation with very low ambient air temperatures between -20°C and -45°C.

Electrical connection to the condenser terminals at Installer care:

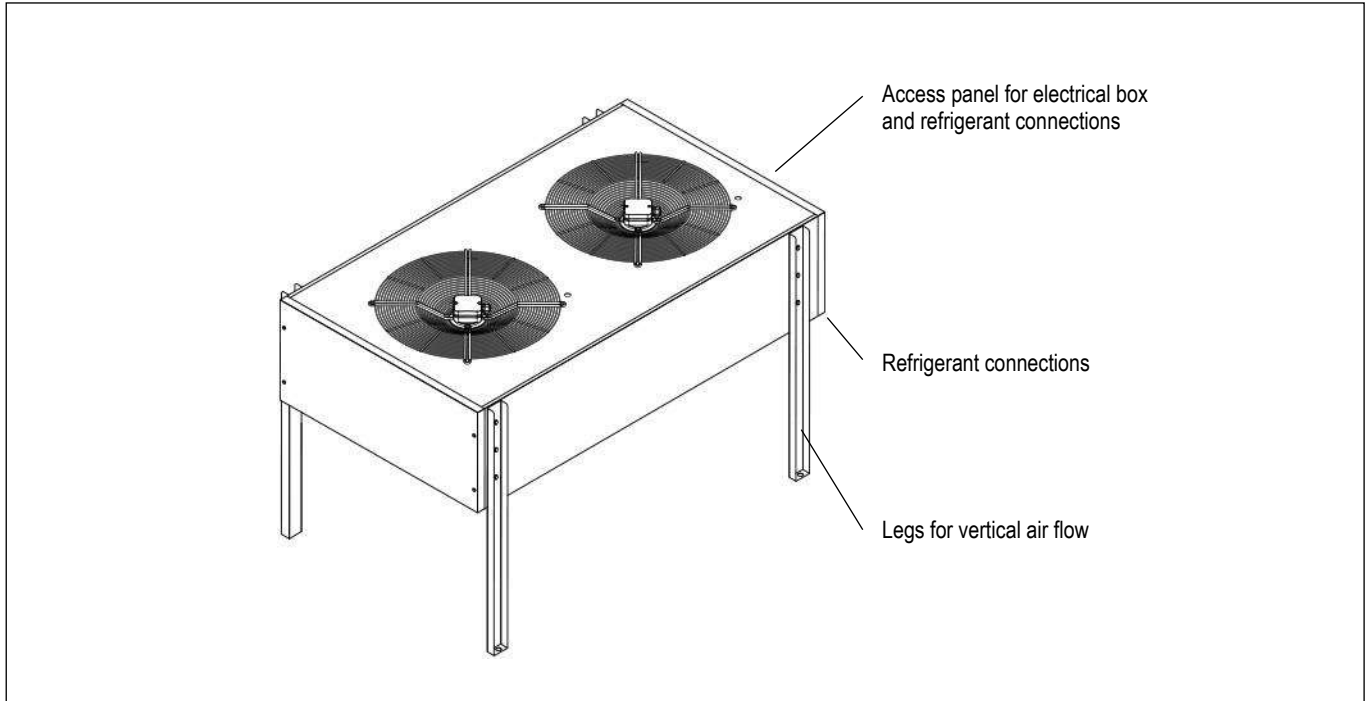
- Power supply cord (regulated voltage) from the terminals of the indoor unit;

With the optional P172 the condenser fans alarm signal is not available.

Please refer to the unit wiring diagram for connections.

OPTIONAL ACCESSORIES: C628000004 / C628000005 / C628000006 - LEGS FOR VERTICAL AIR FLOW (KIT)

The units can be supplied with supporting legs for a vertical airflow.
 The supporting legs are supplied in mounting kit, with the necessary hardware.
 The installation of the support legs is the responsibility of the Installer.
 Always fix the unit to the floor

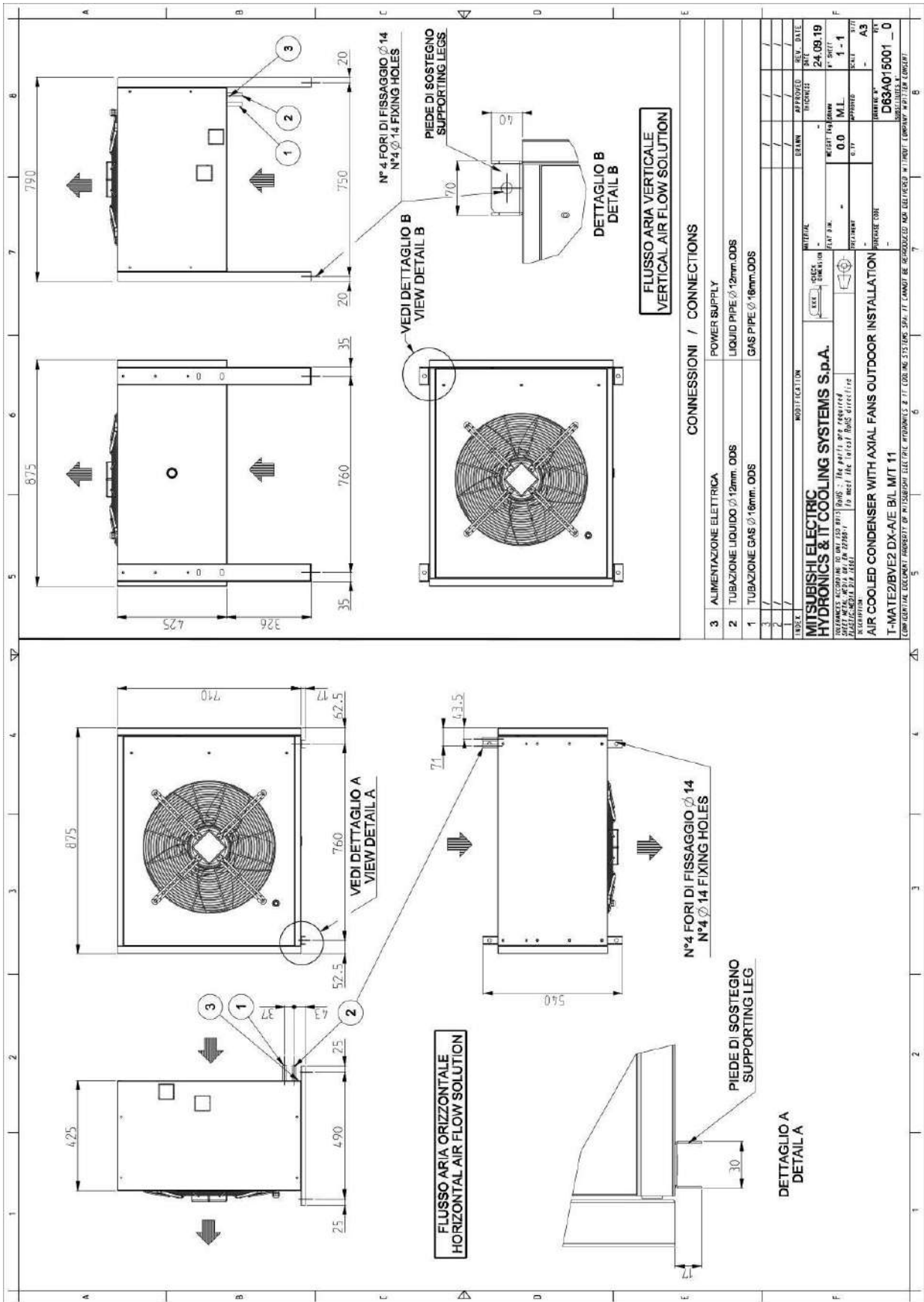


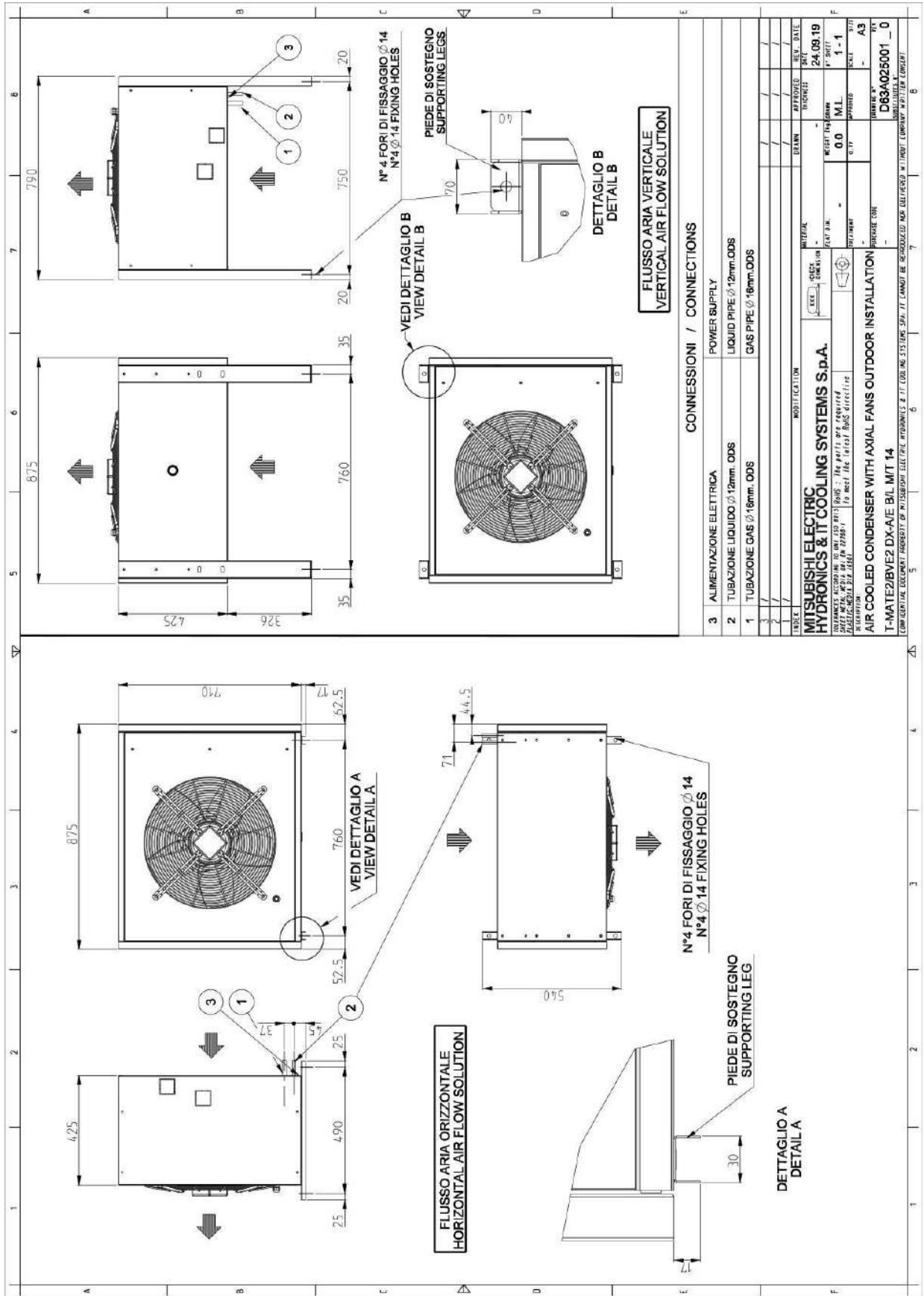
MODEL		11	14	17	20	25	30	35	
CODE		C628000004	C628000004	C628000004	C628000004	C628000005	C628000005	C628000005	
UNIT WEIGHT	kg	64	68	79	85	118	127	136	
MODEL		45	50	60	70	95	110	130	140
CODE		C628000005	C628000005	C628000005	C628000005	C628000006	C628000006	C628000006	C628000006
UNIT WEIGHT	kg	169	191	204	230	263	293	343	373

MACHINE DRAWINGS

Dimensions in mm

Mod. 11

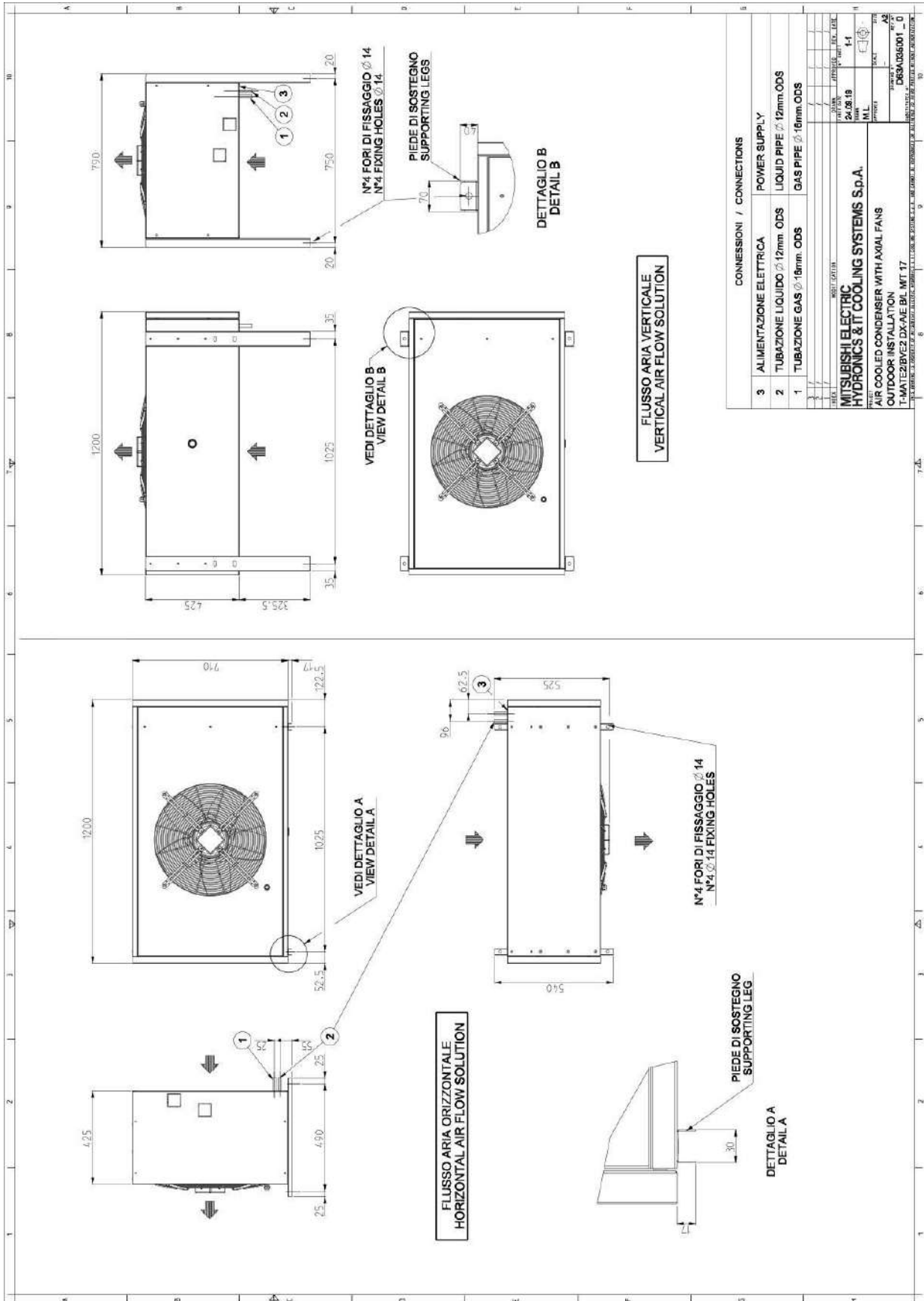




BVE2 DX

MACHINE DRAWINGS Dimensions in mm

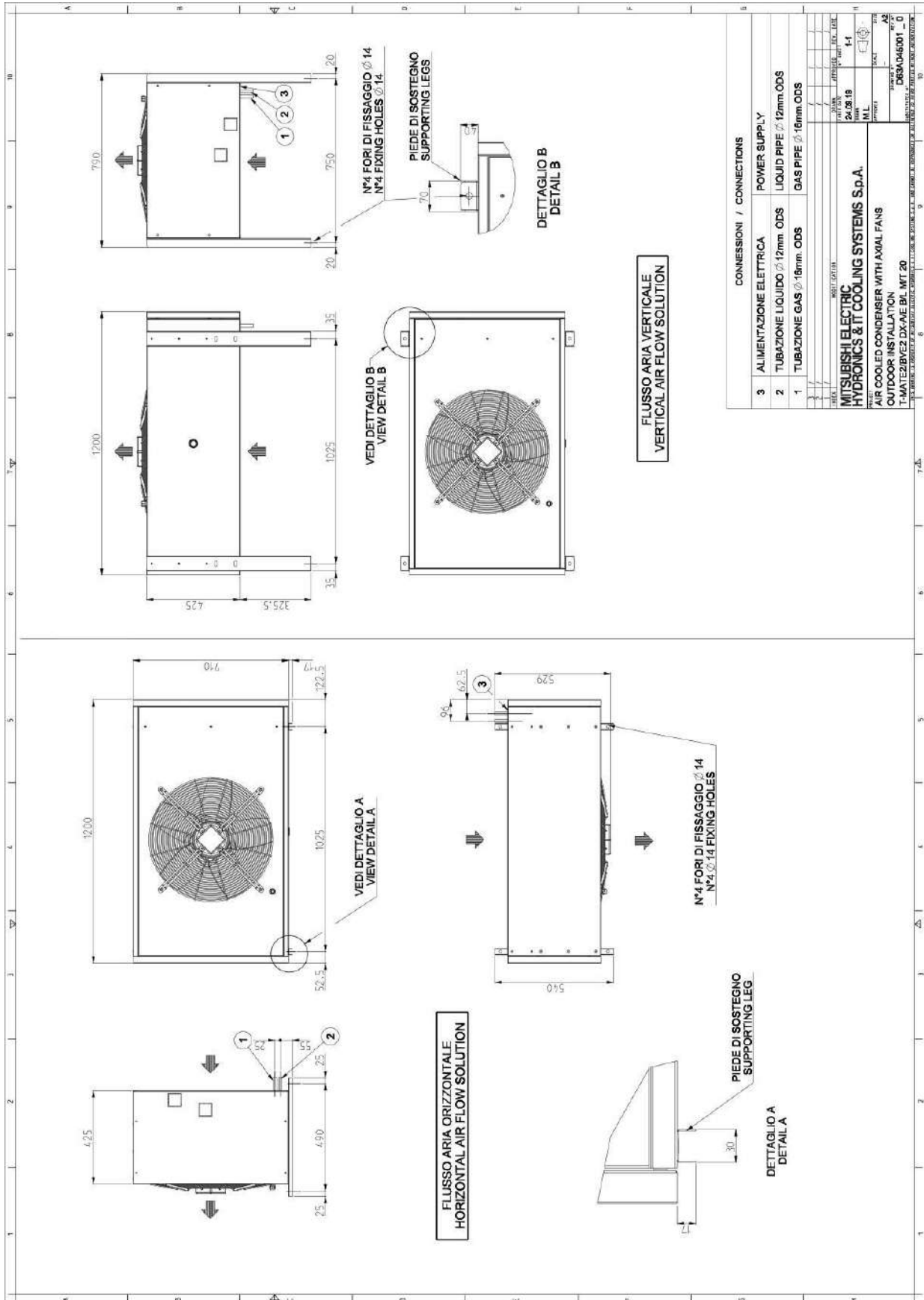
Mod. 17



BVE2 DX

MACHINE DRAWINGS Dimensions in mm

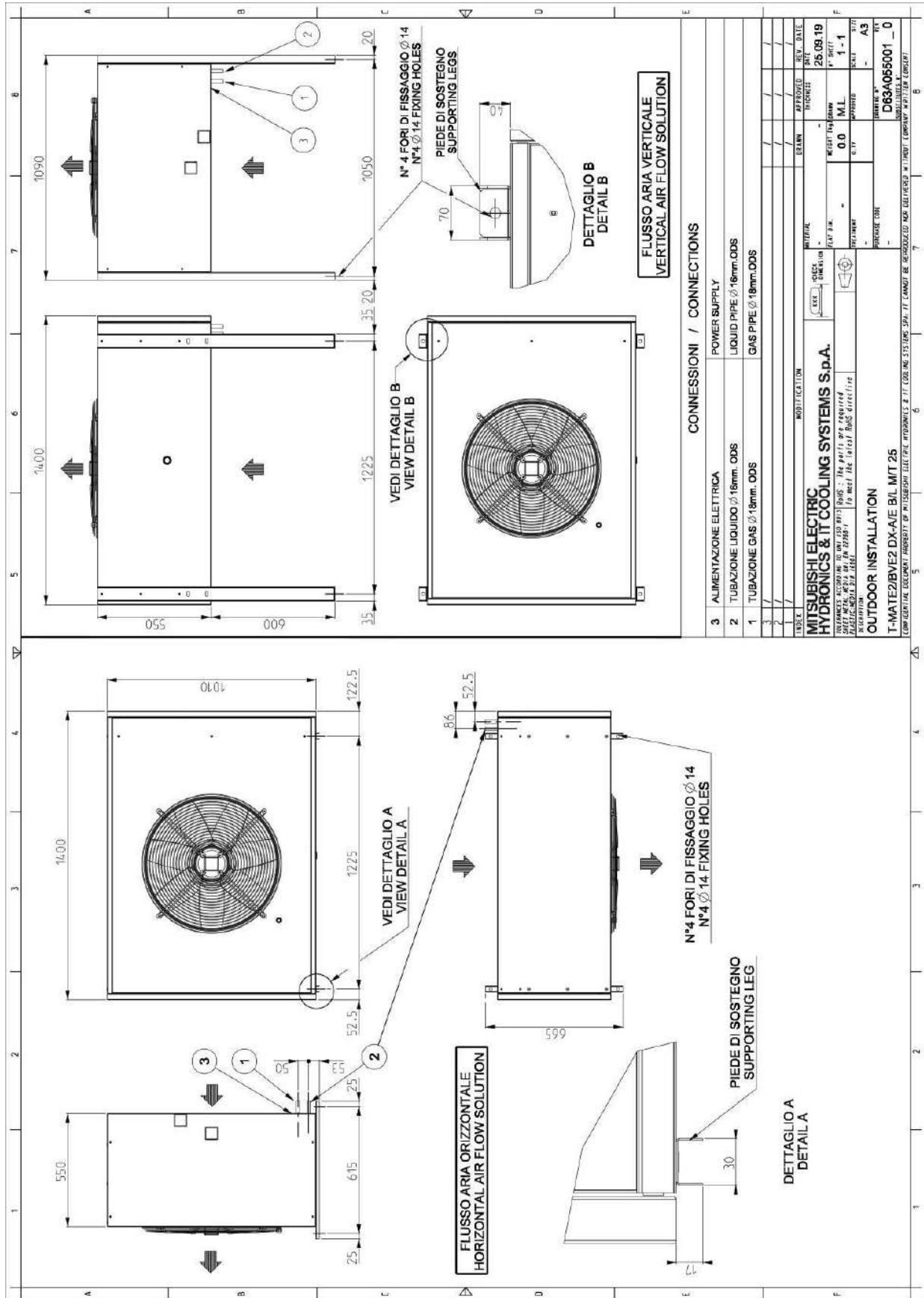
Mod. 20



BVE2 DX

MACHINE DRAWINGS Dimensions in mm

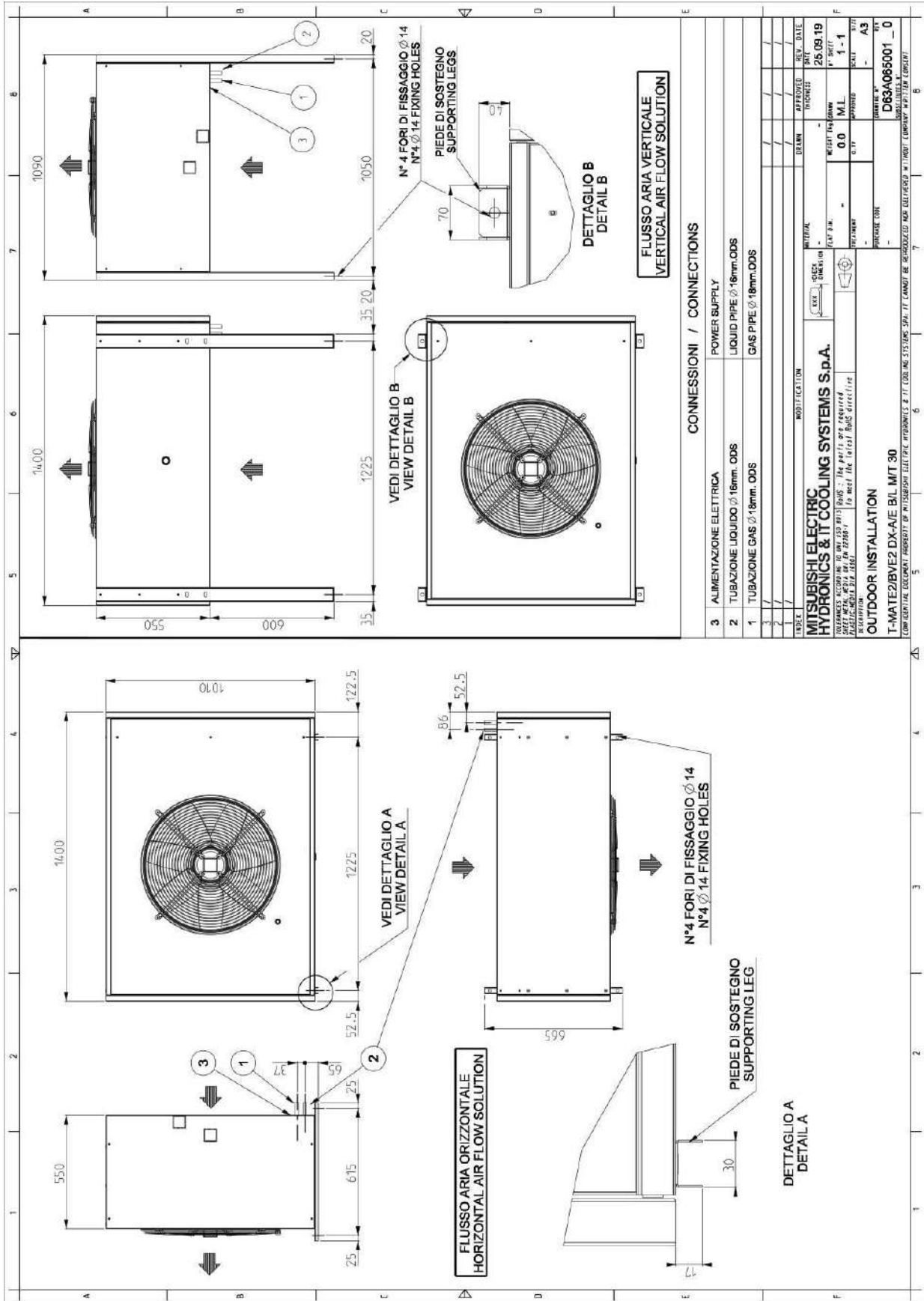
Mod. 25



BVE2 DX

MACHINE DRAWINGS
Dimensions in mm

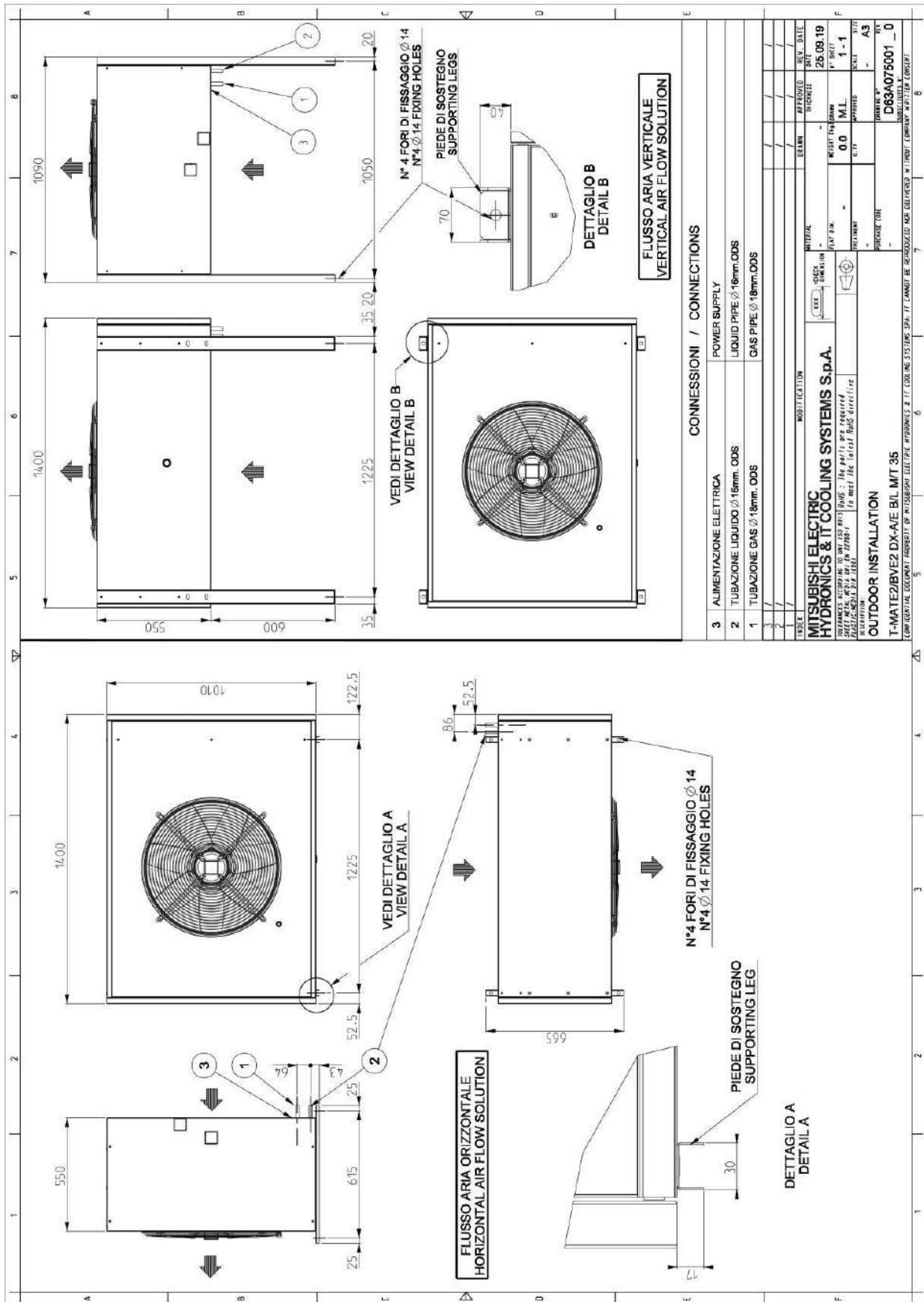
Mod. 30



BVE2 DX

MACHINE DRAWINGS
Dimensions in mm

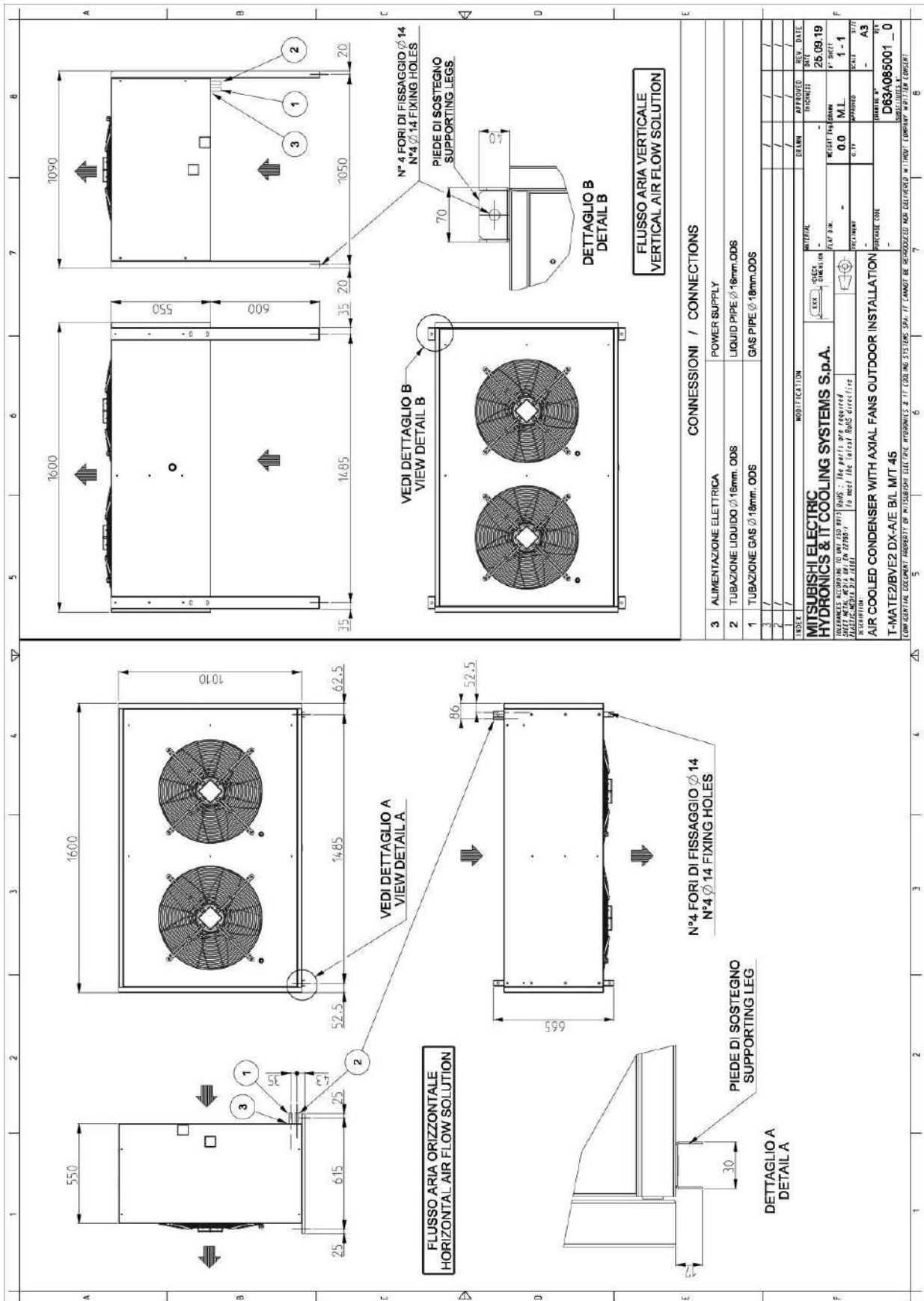
Mod. 35



BVE2 DX

MACHINE DRAWINGS
Dimensions in mm

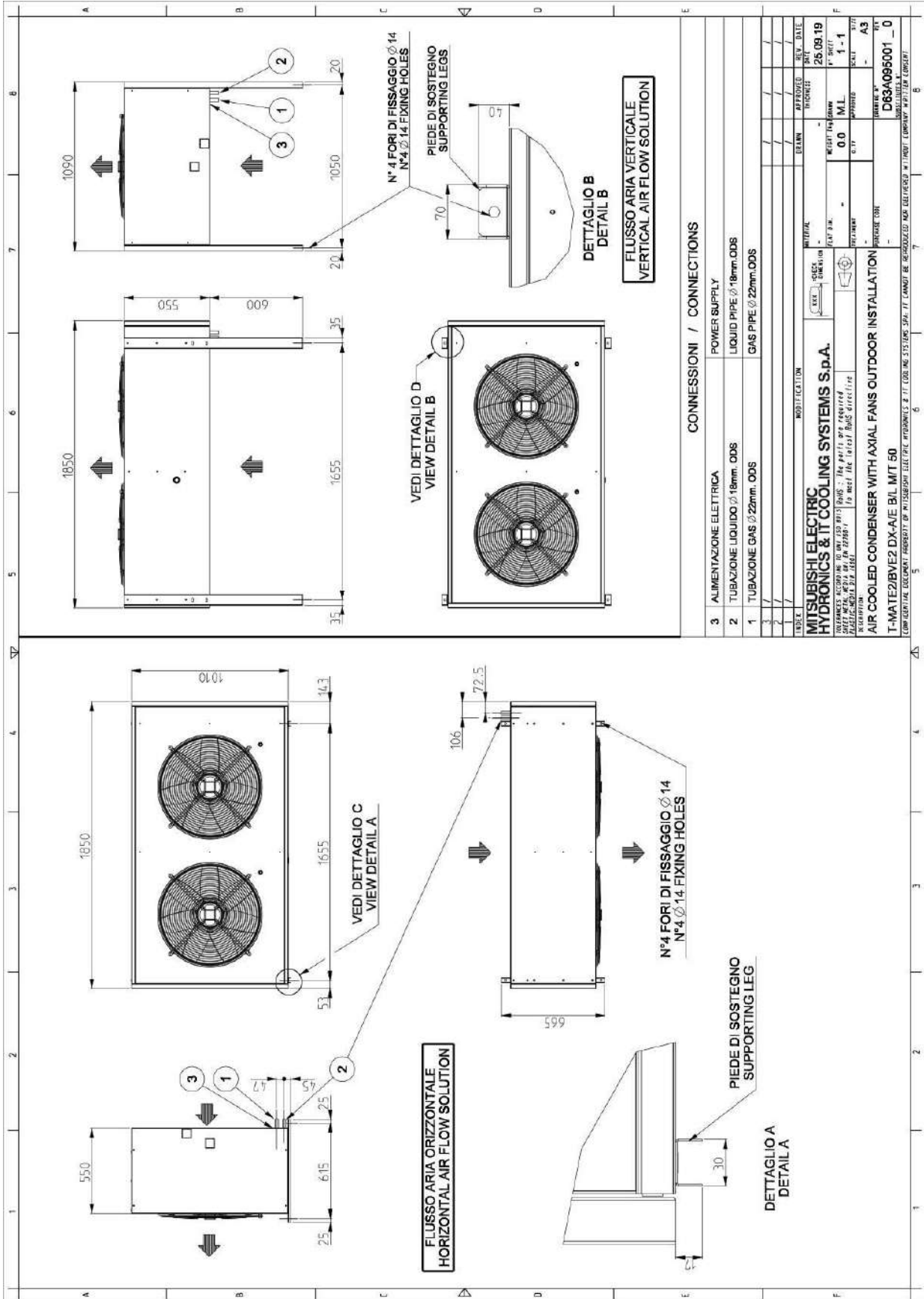
Mod. 45



BVE2 DX

MACHINE DRAWINGS Dimensions in mm

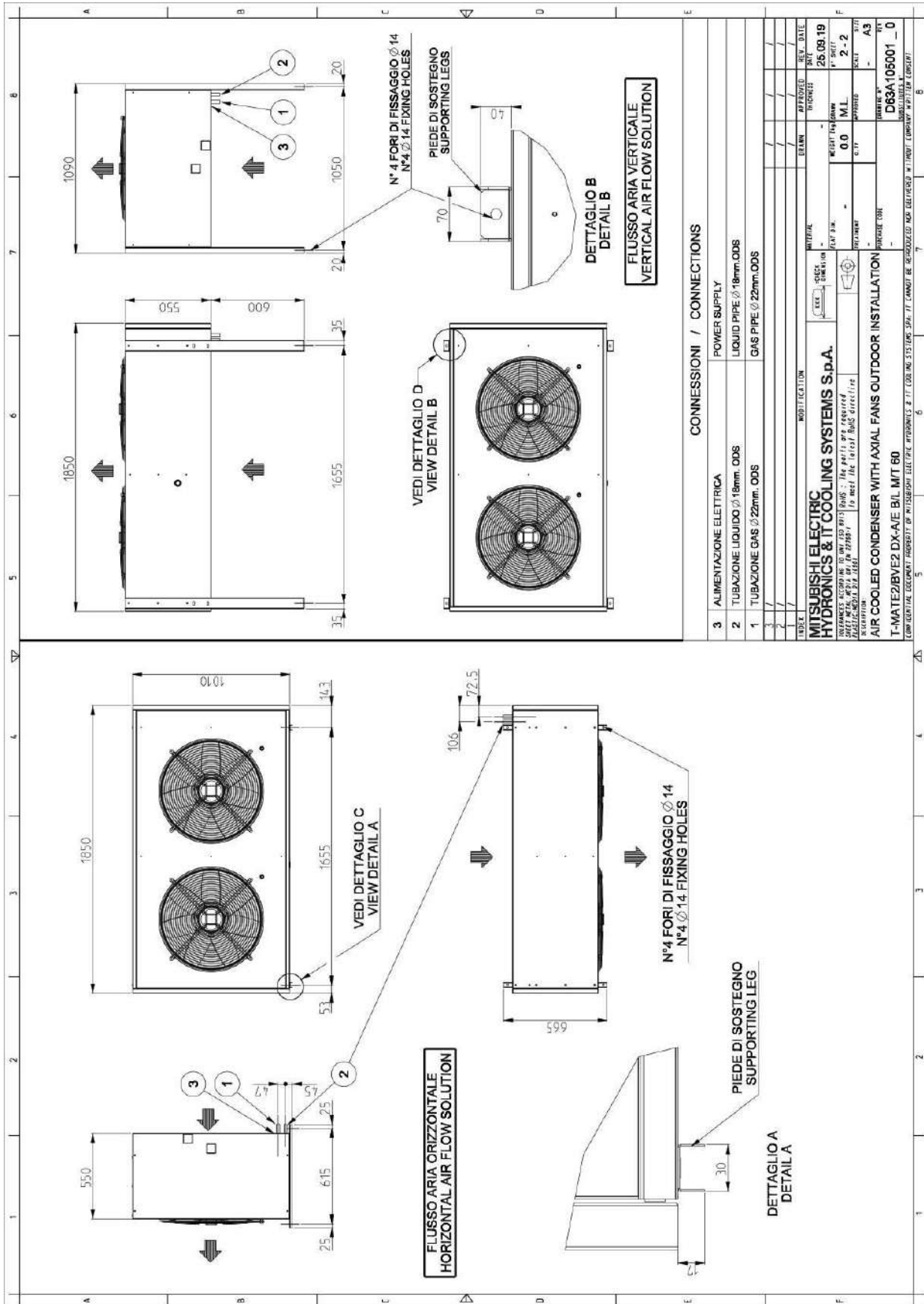
Mod. 50



BVE2 DX

MACHINE DRAWINGS Dimensions in mm

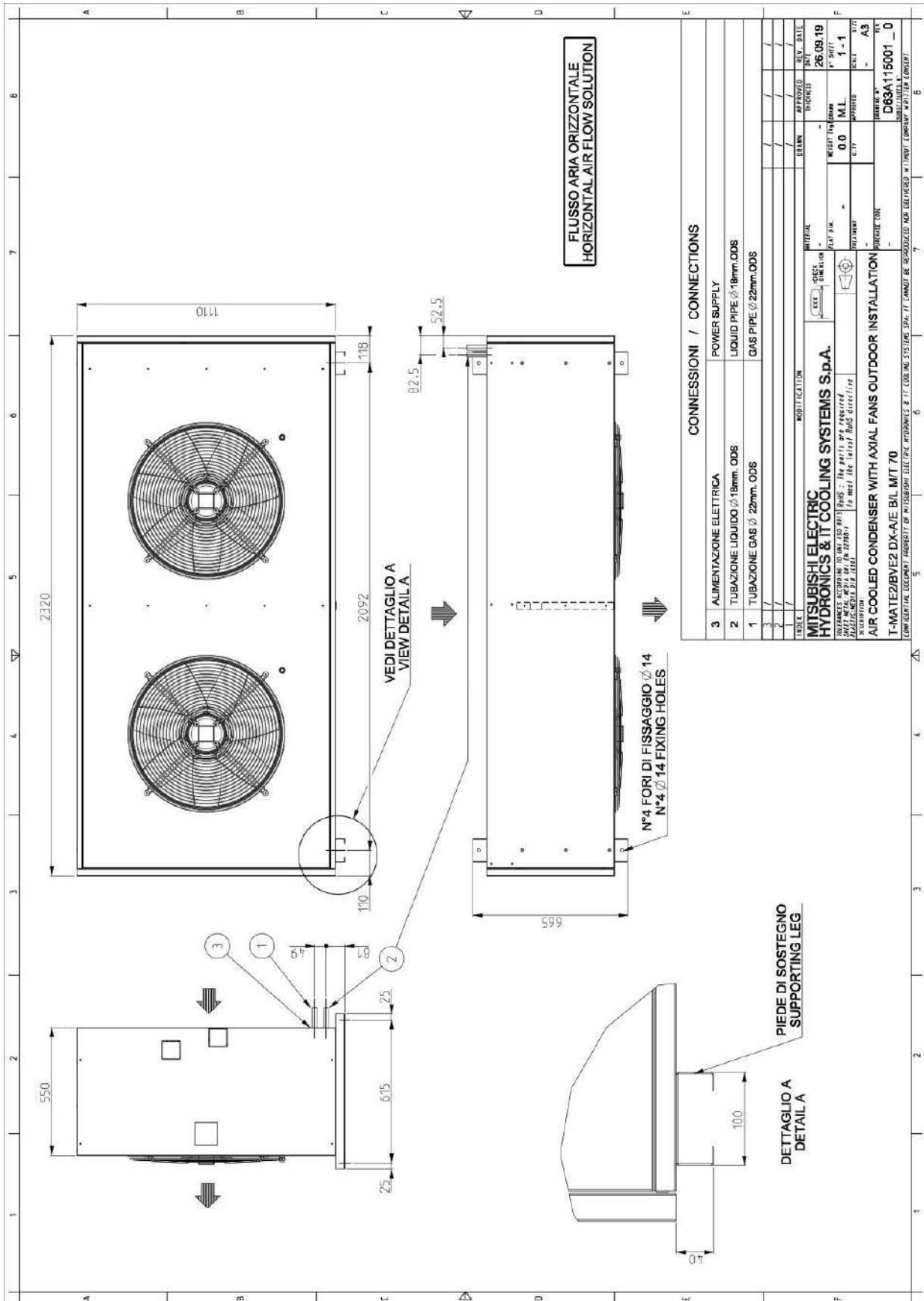
Mod. 60



BVE2 DX

MACHINE DRAWINGS Dimensions in mm

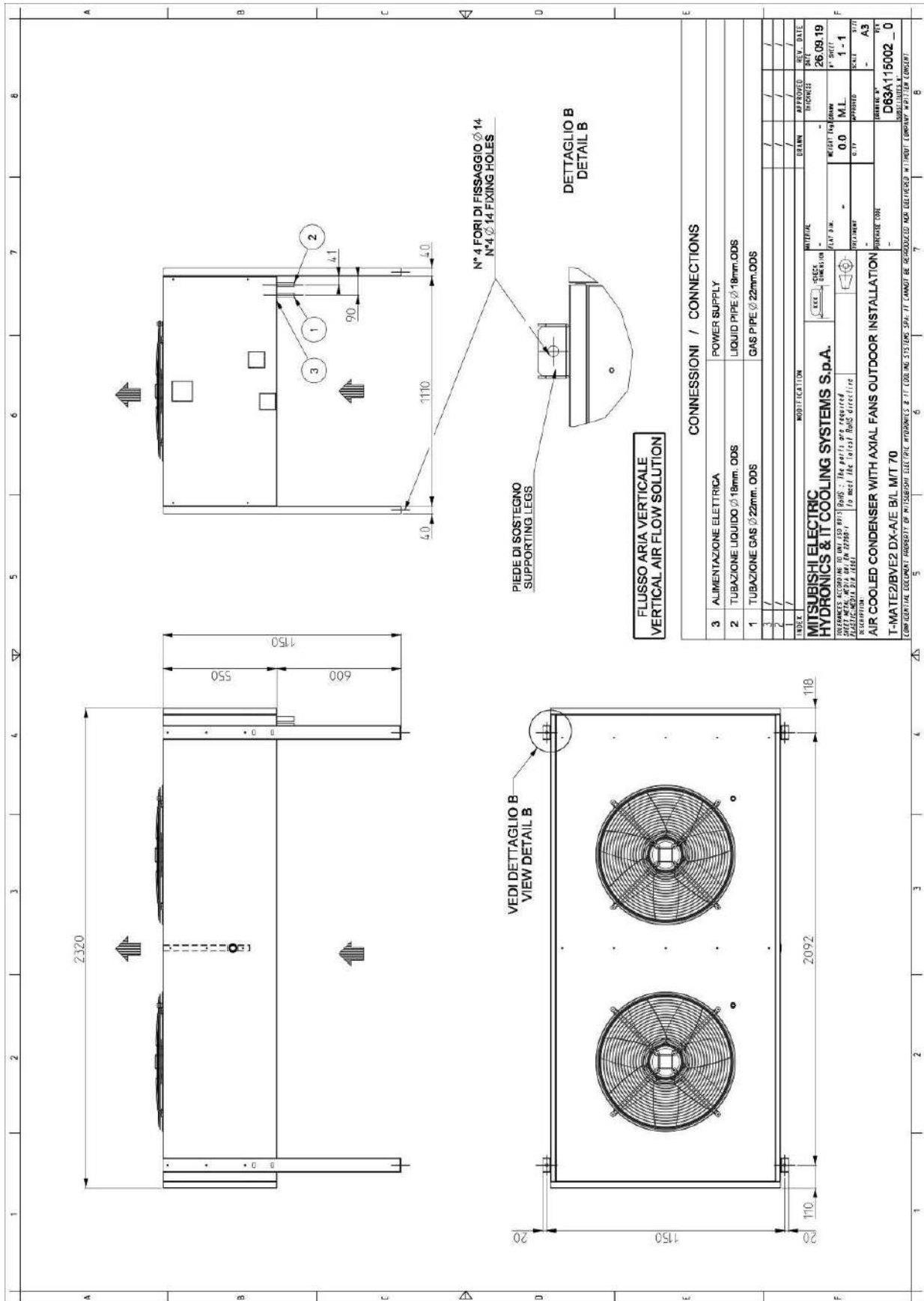
Mod. 70 – Horizontal air flow



BVE2 DX

MACHINE DRAWINGS Dimensions in mm

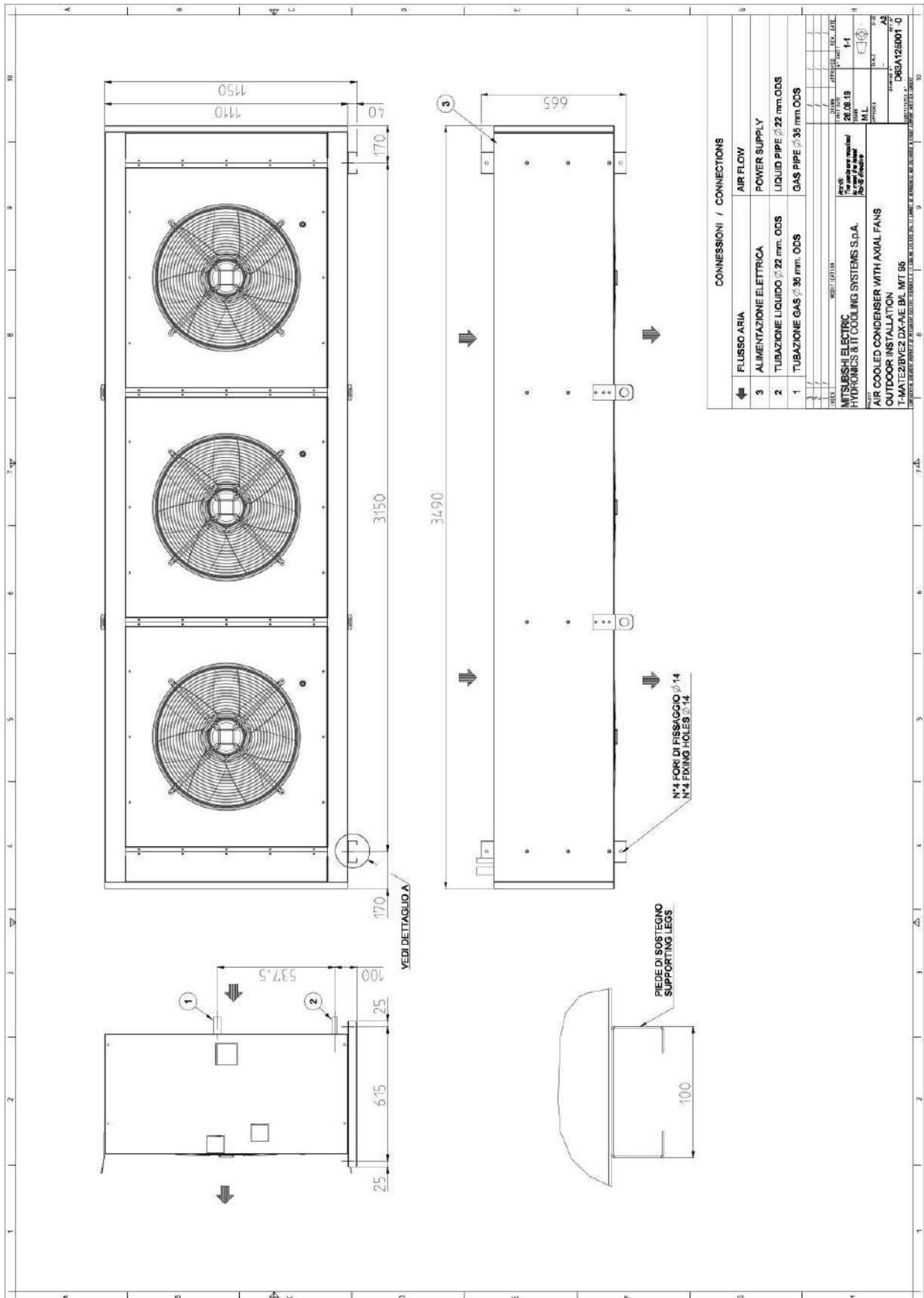
Mod. 70 – Vertical air flow



BVE2 DX

MACHINE DRAWINGS Dimensions in mm

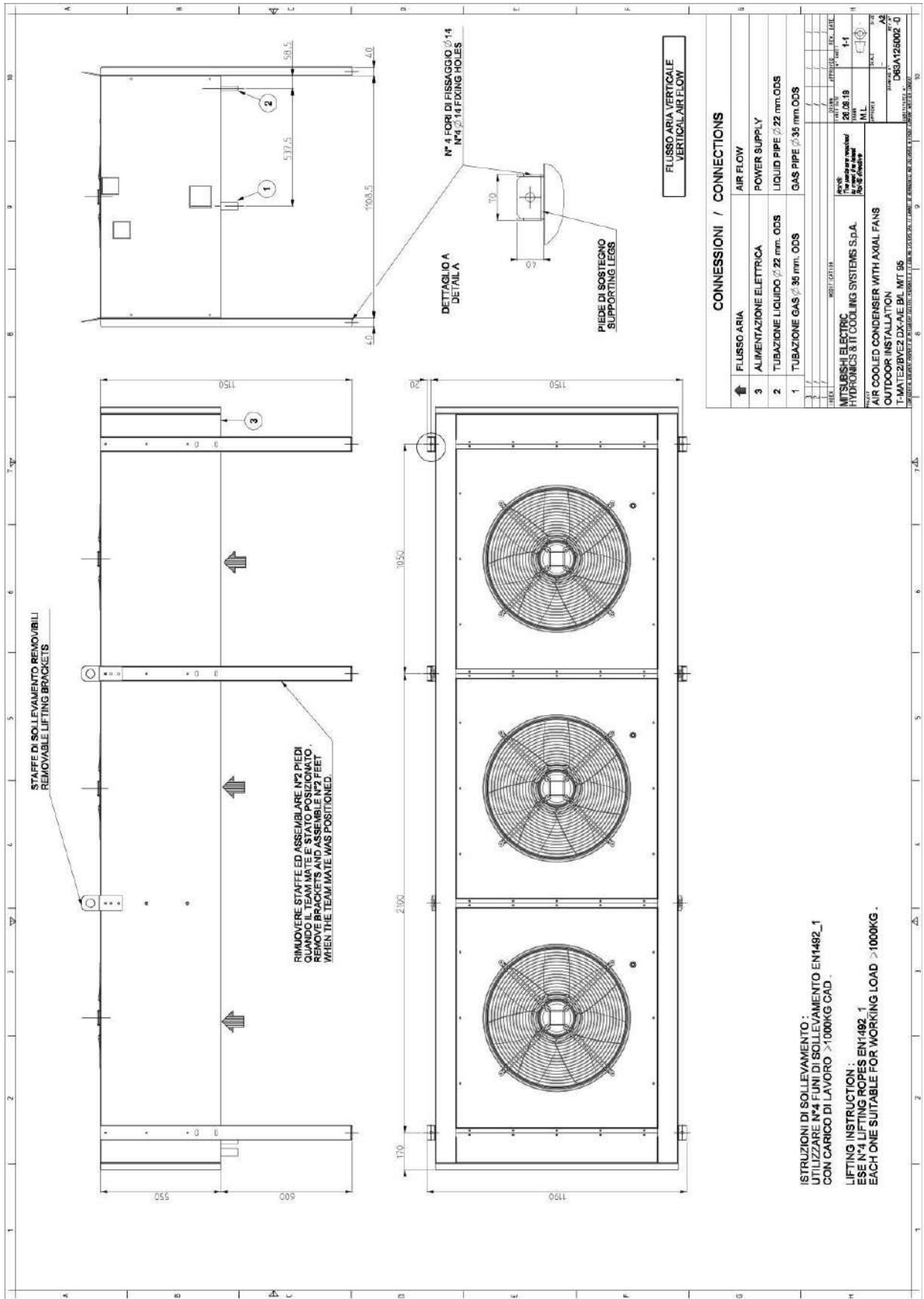
Mod. 95 – Horizontal air flow



BVE2 DX

MACHINE DRAWINGS Dimensions in mm

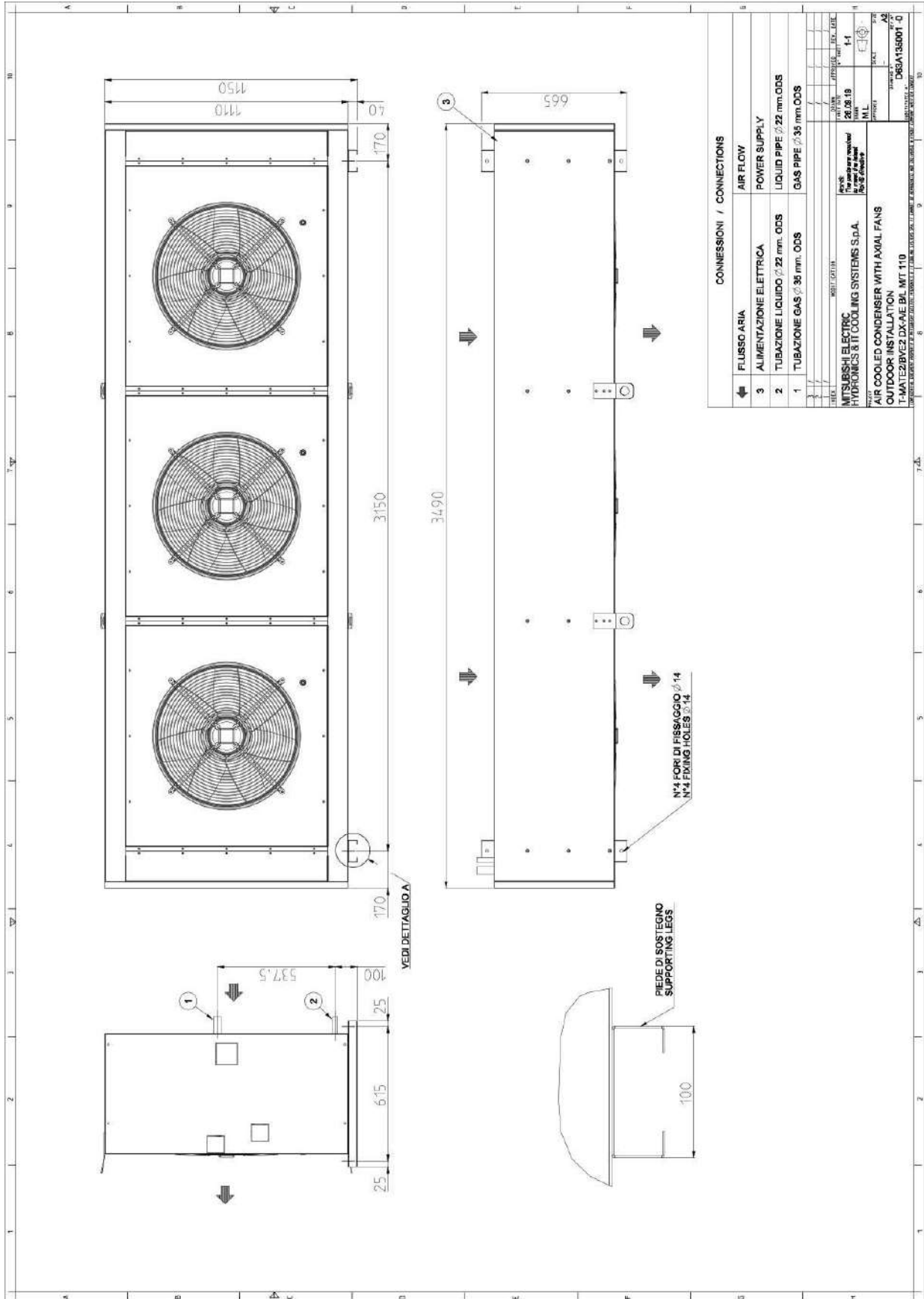
Mod. 95 – Vertical air flow



BVE2 DX

MACHINE DRAWINGS Dimensions in mm

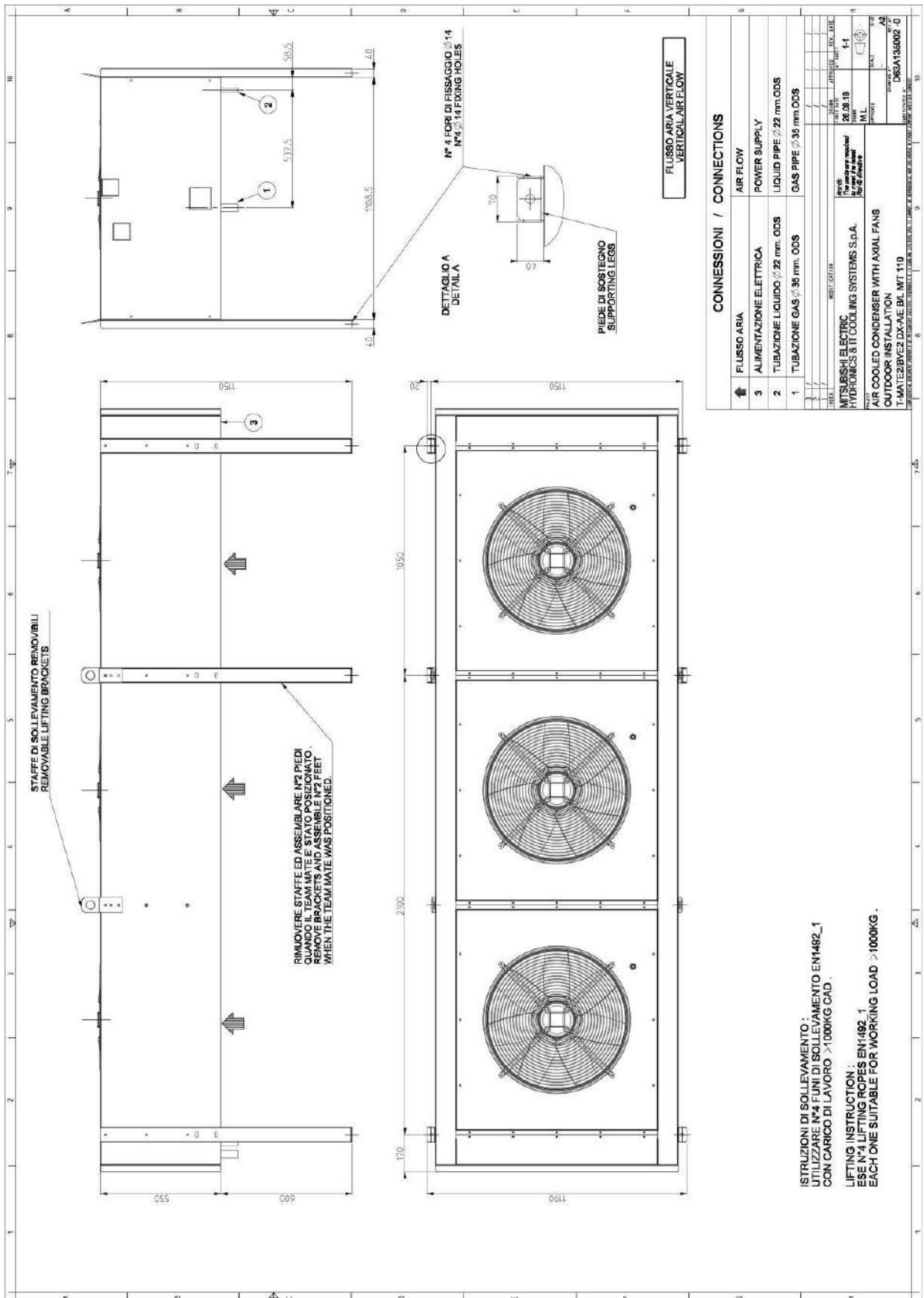
Mod. 110 – Horizontal air flow



BVE2 DX

MACHINE DRAWINGS Dimensions in mm

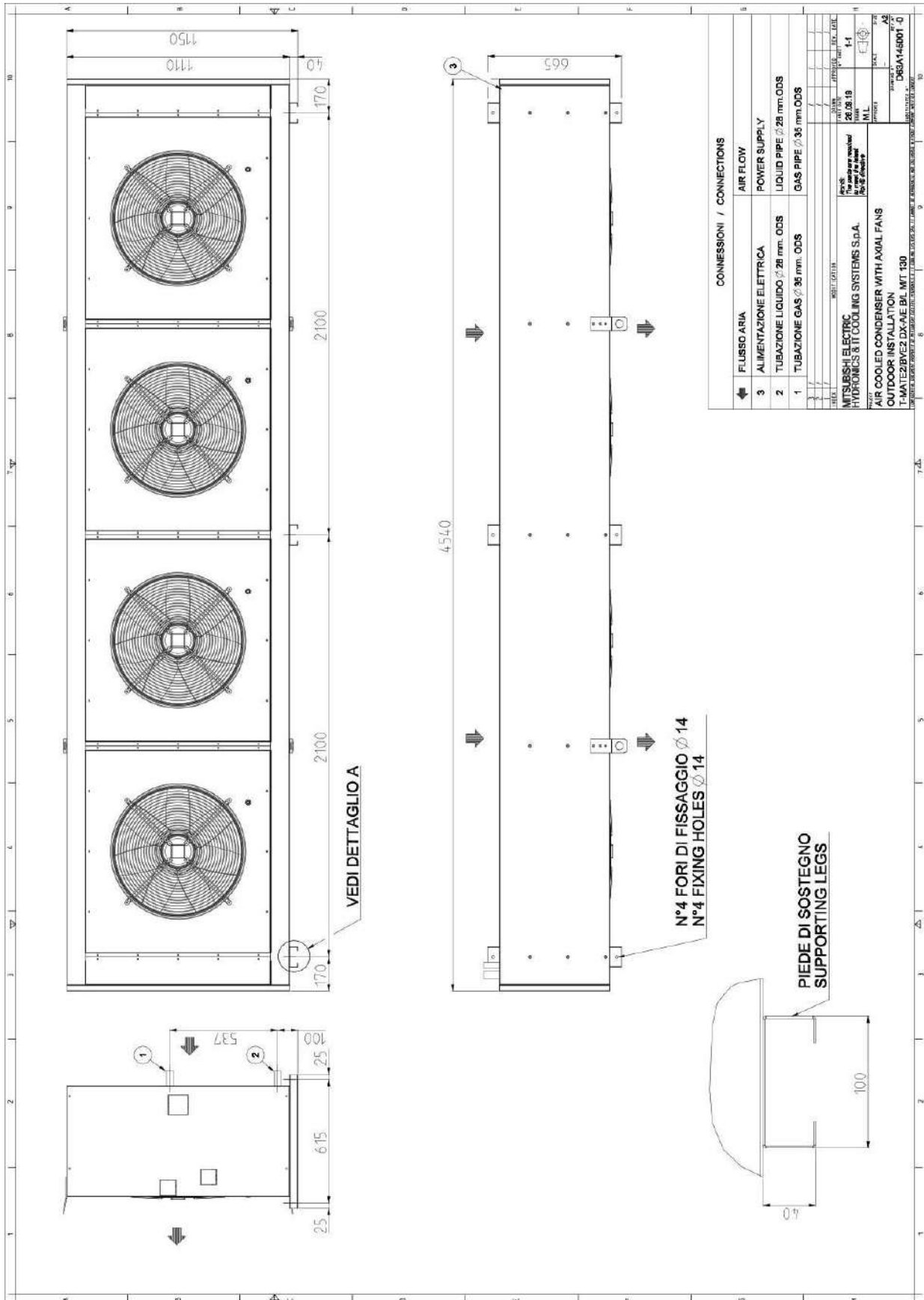
Mod. 110 – Vertical air flow



BVE2 DX

MACHINE DRAWINGS Dimensions in mm

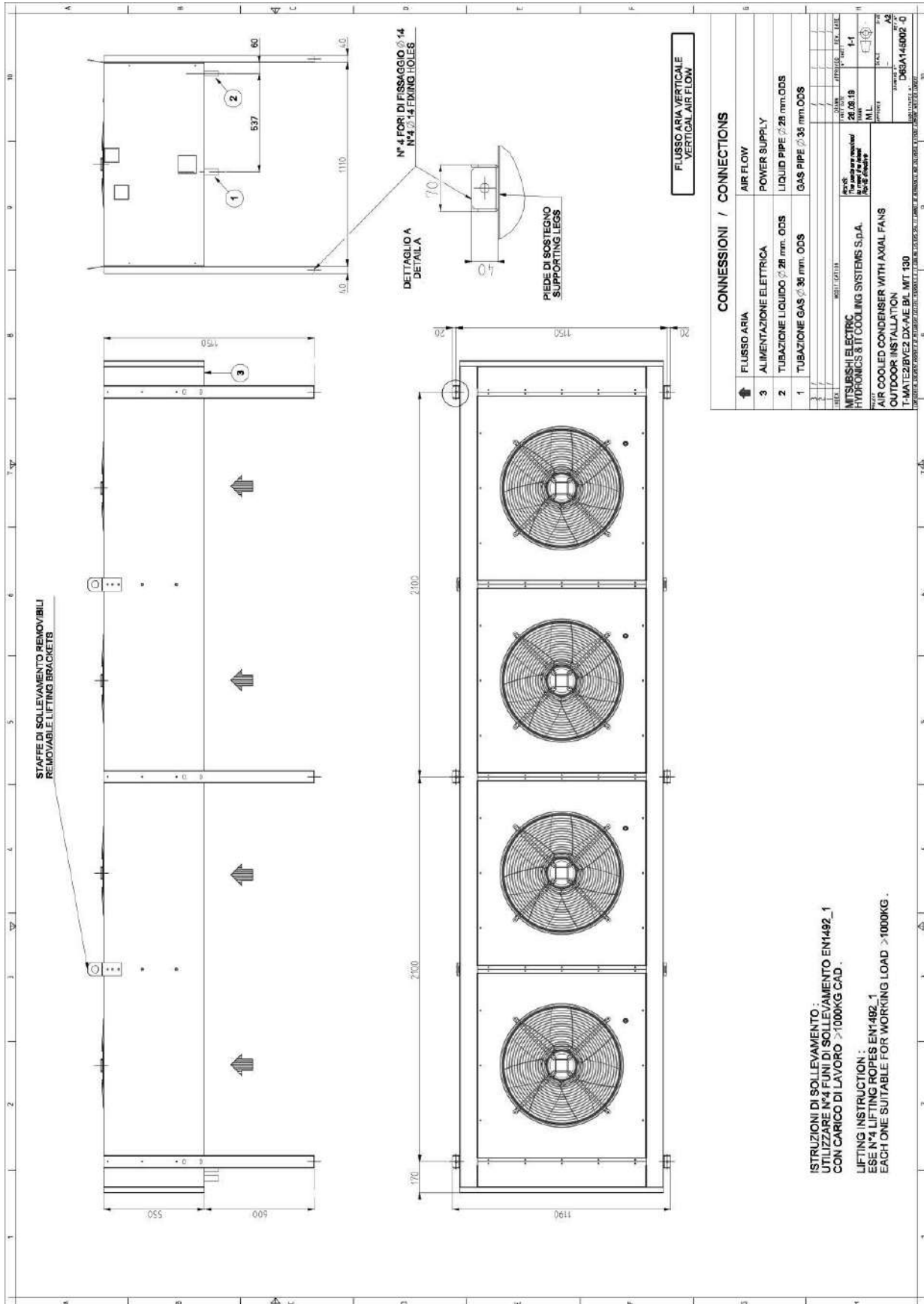
Mod. 130 – Horizontal air flow



BVE2 DX

MACHINE DRAWINGS Dimensions in mm

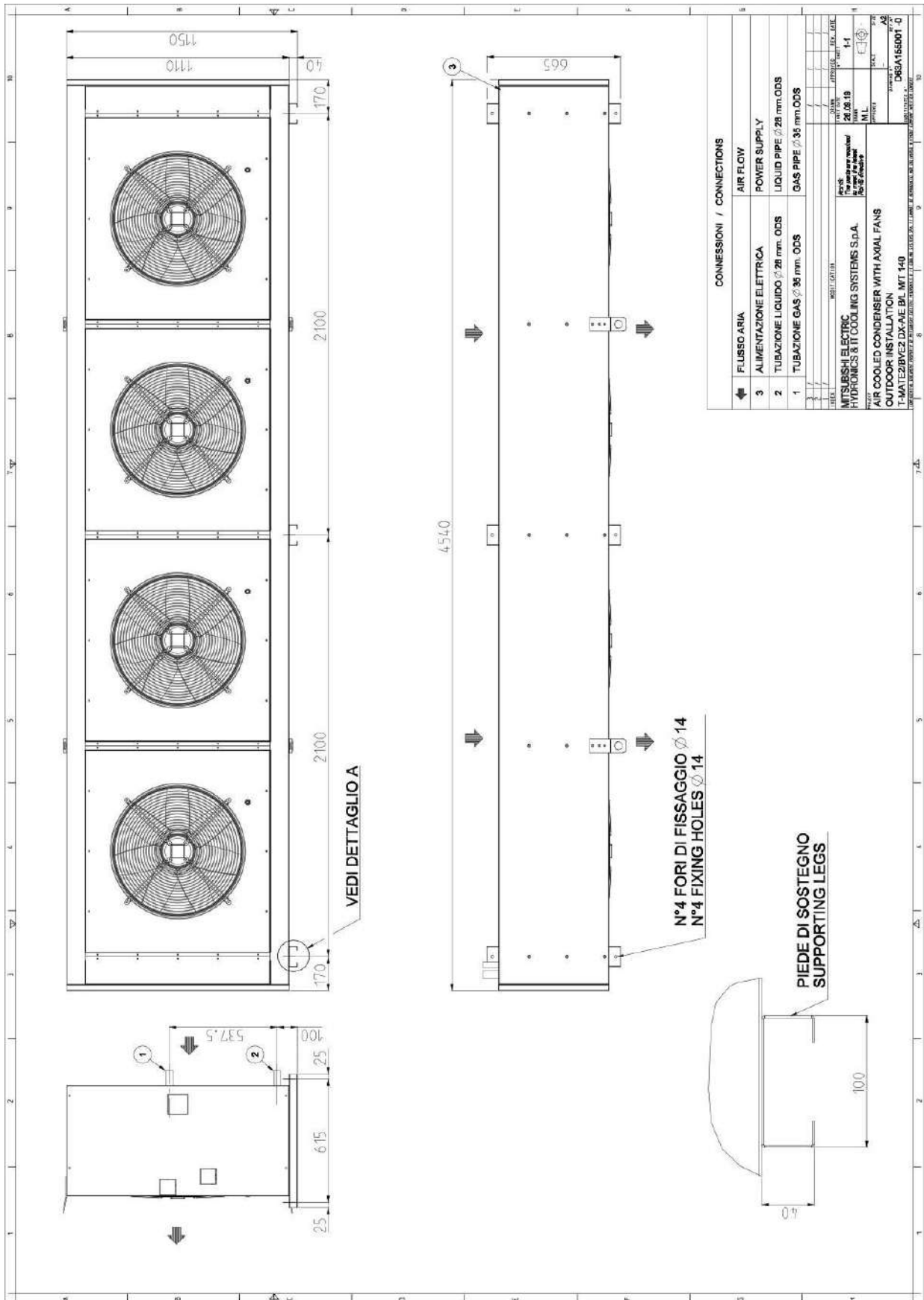
Mod. 130 – Vertical air flow



BVE2 DX

MACHINE DRAWINGS Dimensions in mm

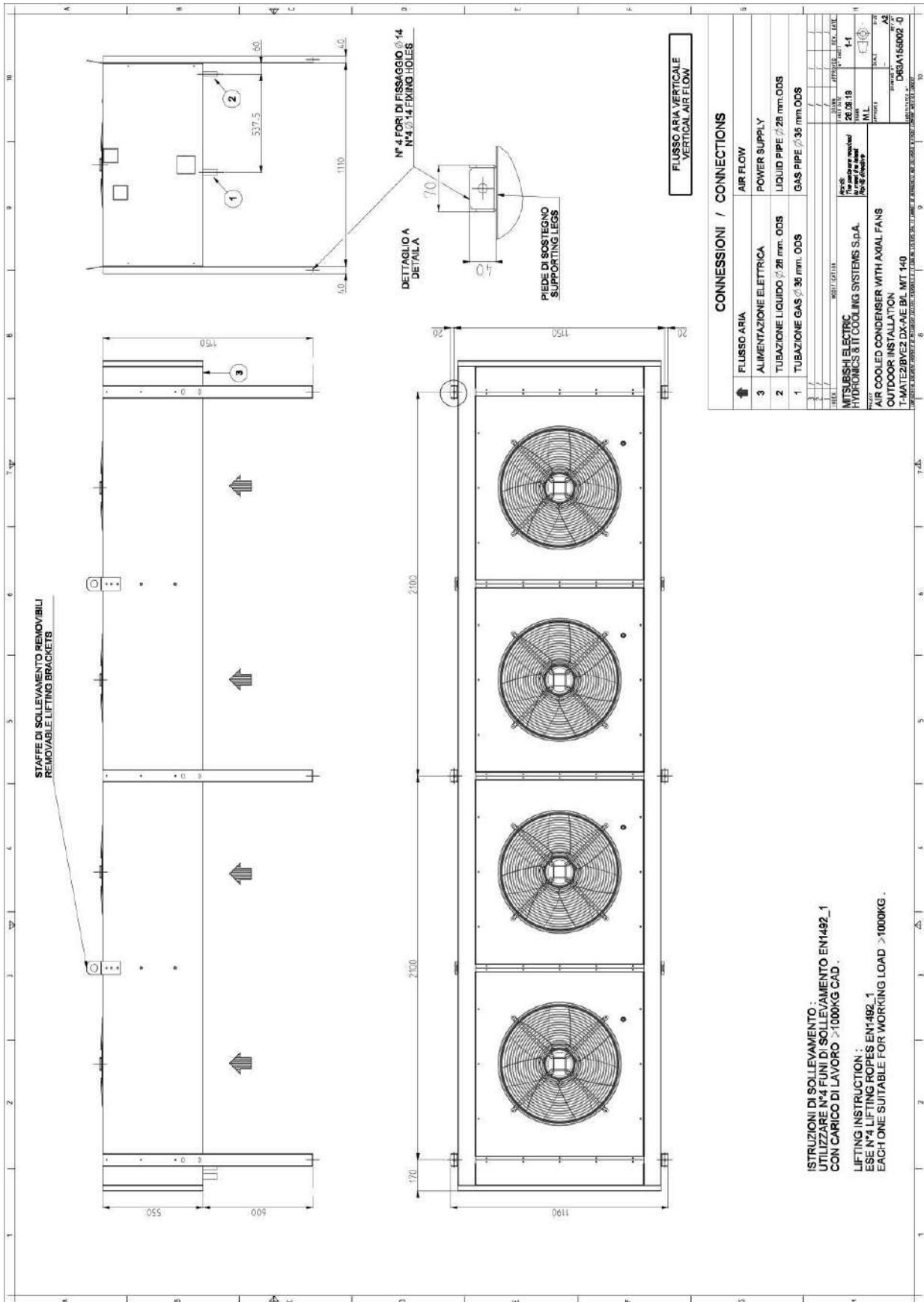
Mod. 140 – Horizontal air flow



BVE2 DX

MACHINE DRAWINGS Dimensions in mm

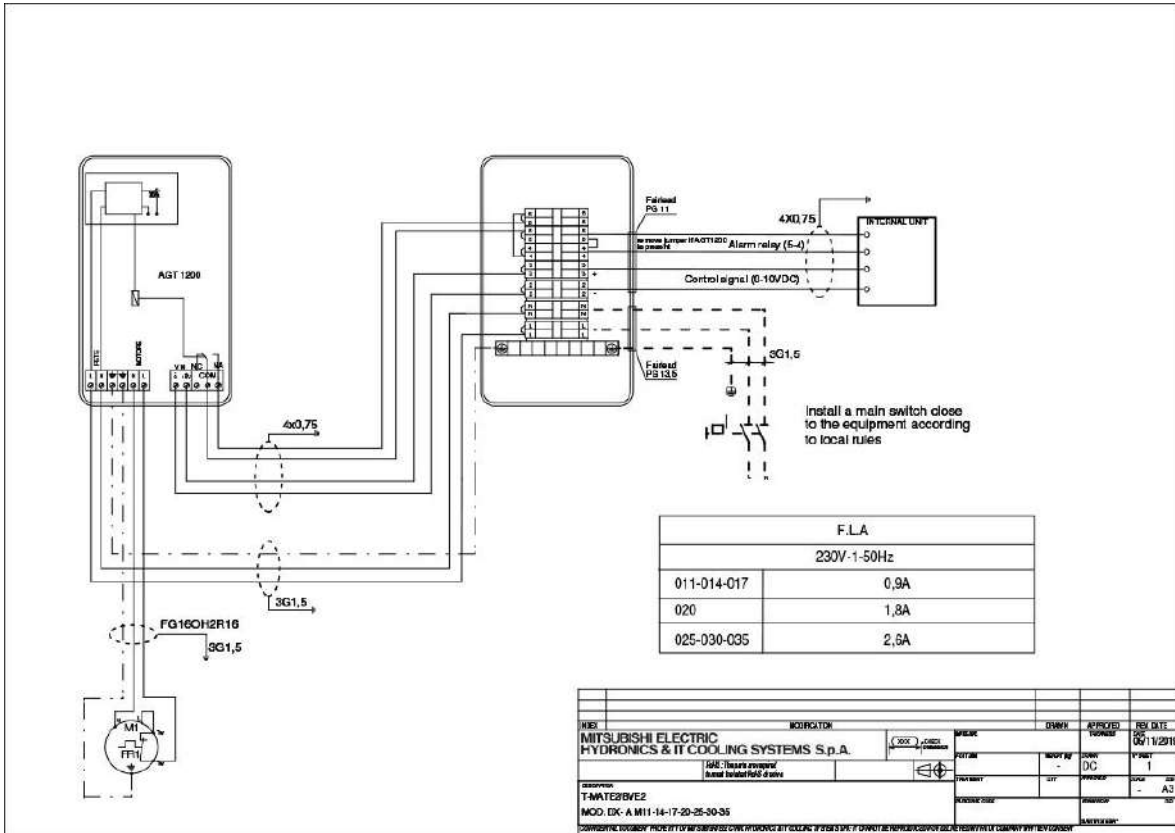
Mod. 140 – Vertical air flow



WIRING DIAGRAM – POWER SUPPLY 230V / 1Ph / 50Hz

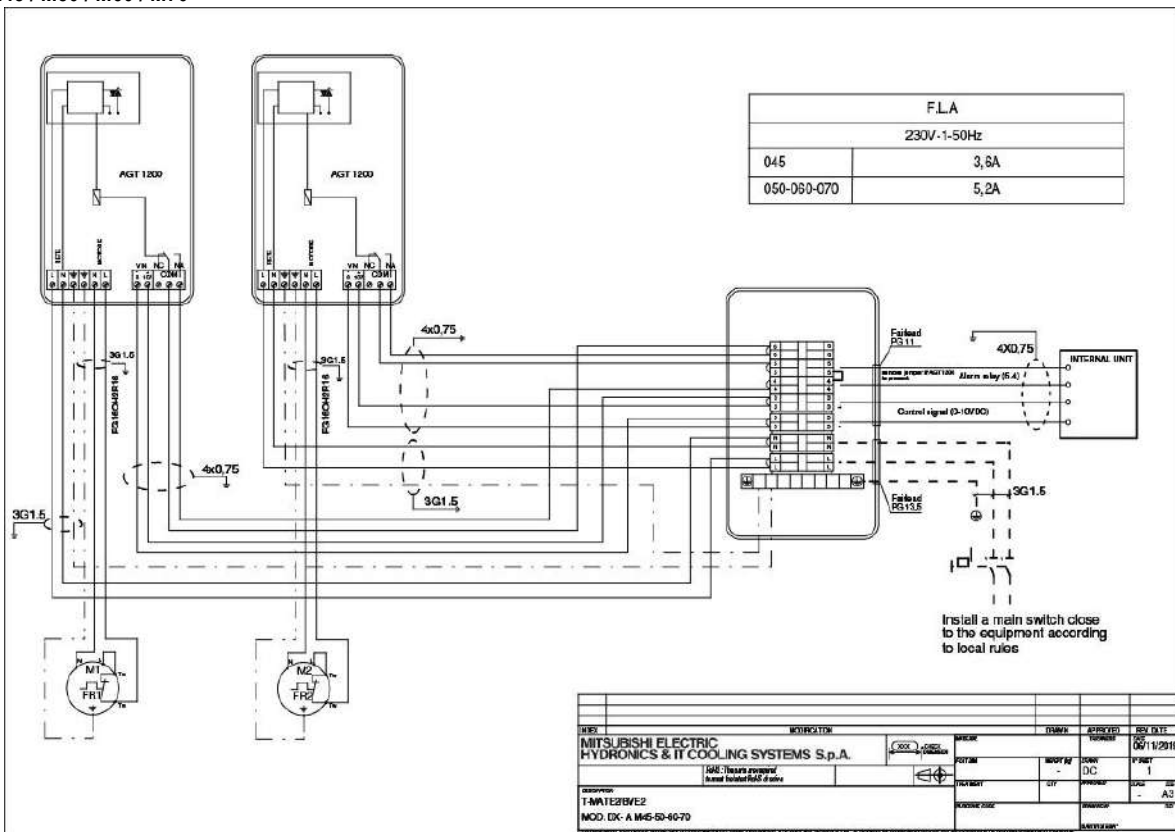
Series: DX-A B / DX-A L

Model: M11 / M14 / M17 / M20 / M25 / M30 / M35



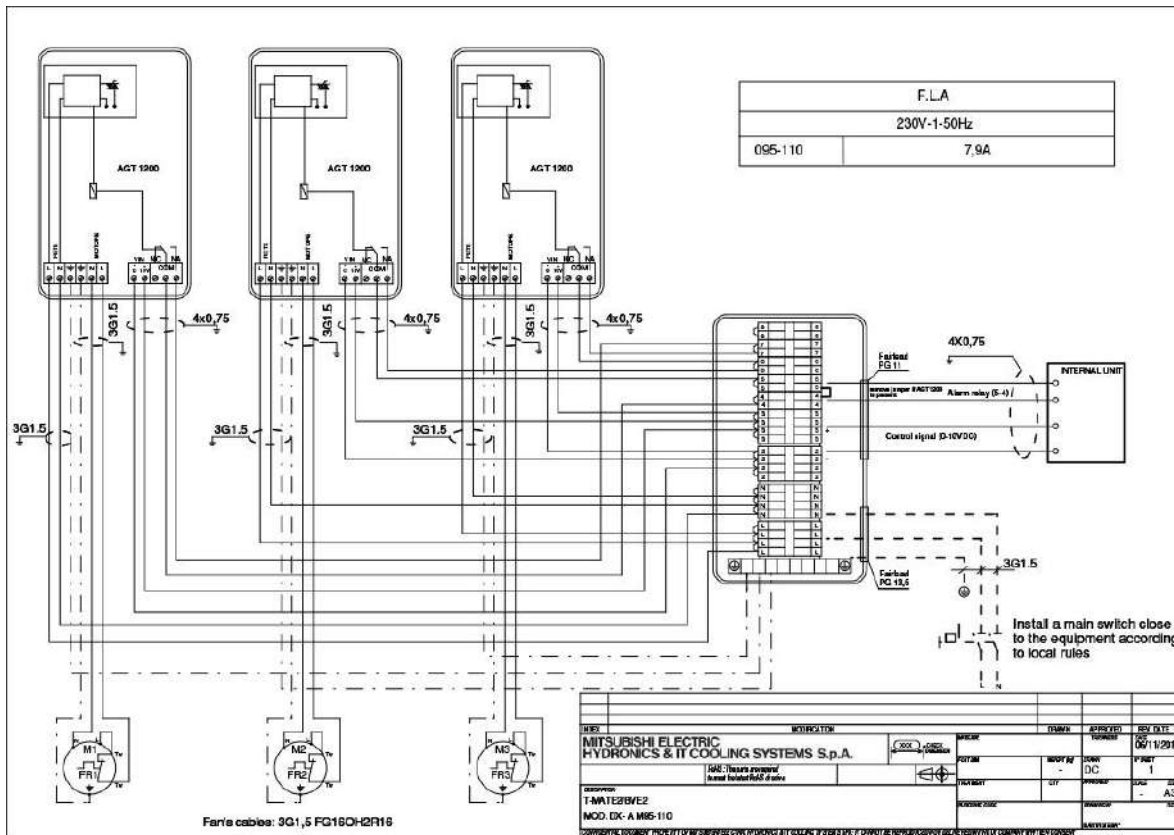
Series: DX-A B / DX-A L

Model: M45 / M50 / M60 / M70

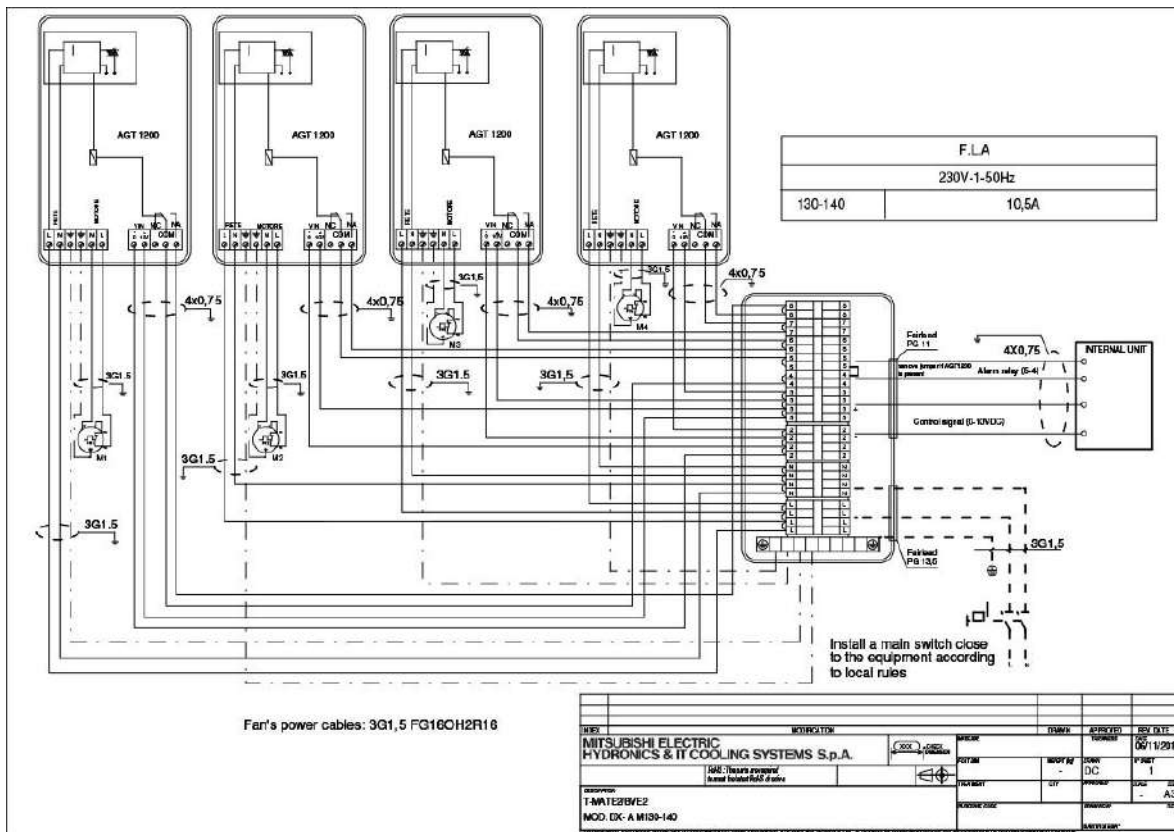


WIRING DIAGRAM – POWER SUPPLY 230V / 1Ph / 50Hz

Series: DX-A B / DX-A L
 Model: M95 / M110

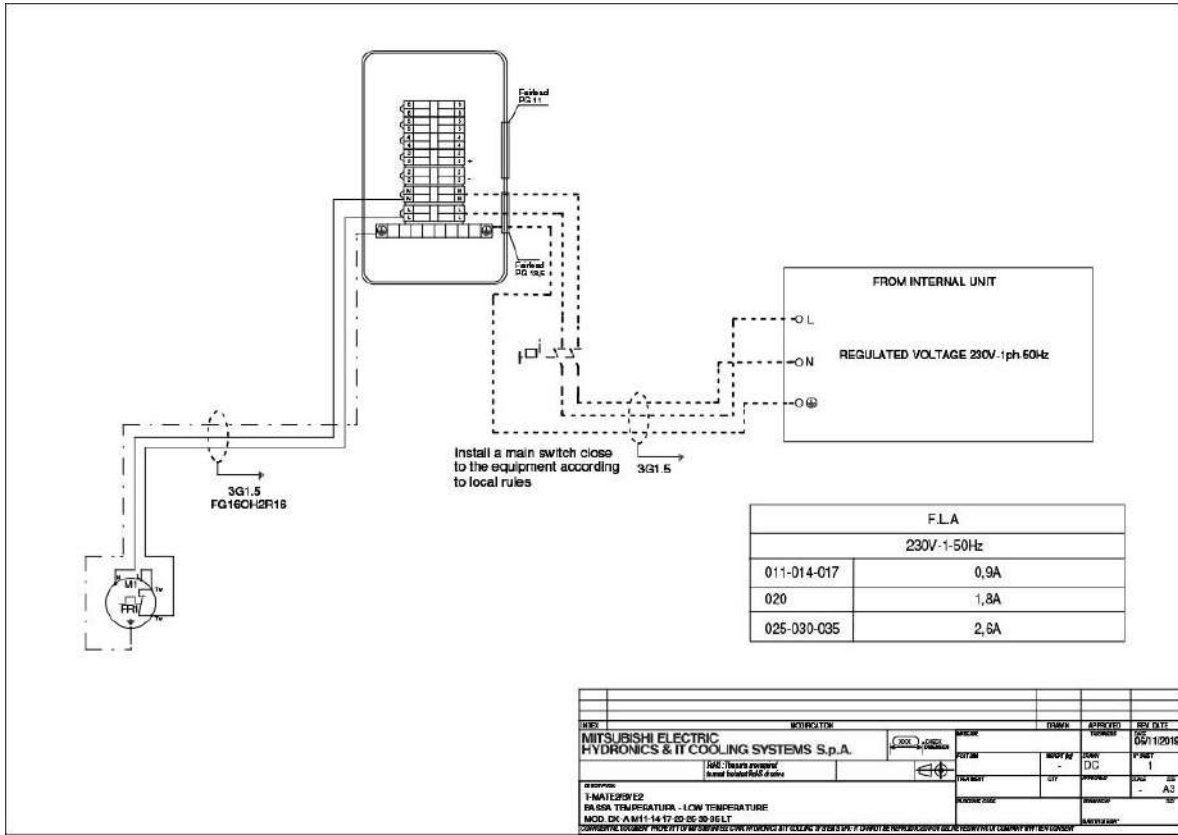


Series: DX-A B / DX-A L
 Model: M130 / M140

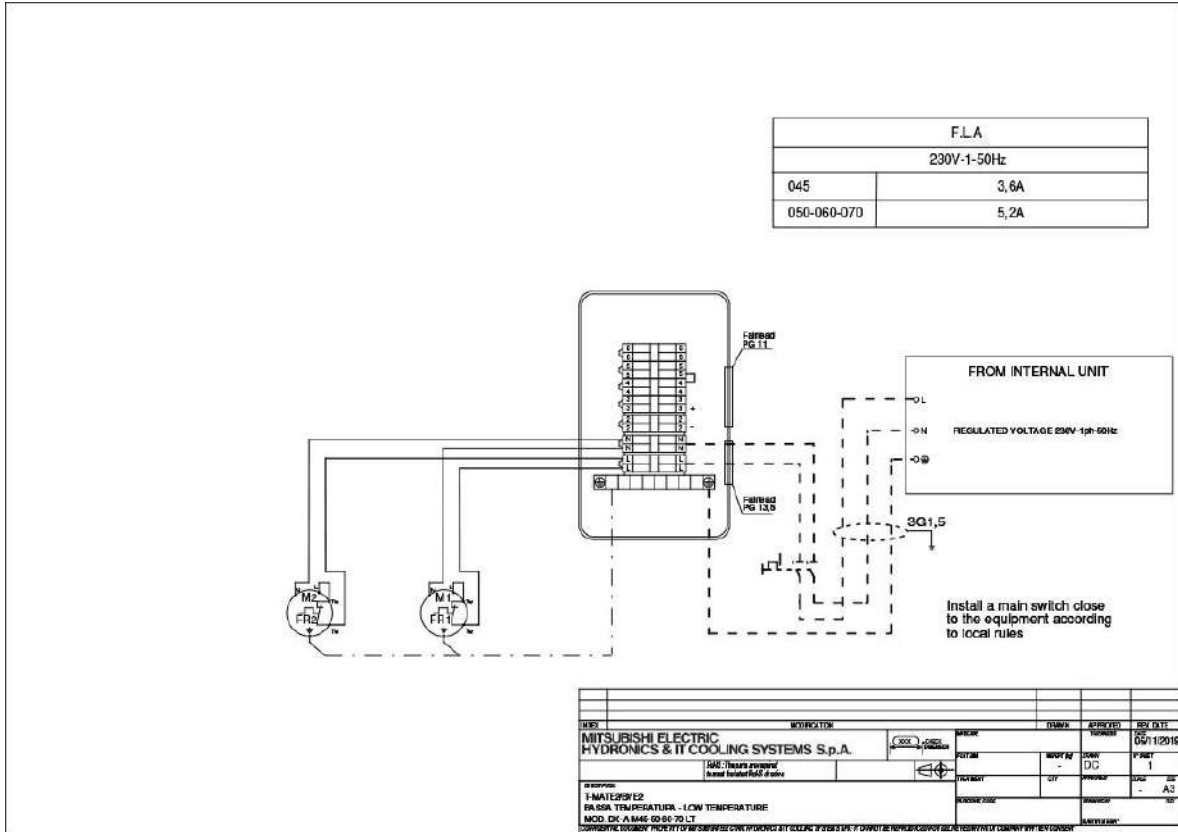


WIRING DIAGRAM – POWER SUPPLY 230V / 1Ph / 50Hz – with optional P172 Kit for air -45°C axial AC

Series: DX-A B / DX-A L
 Model: M11 / M14 / M17 / M20 / M25 / M30 / M35

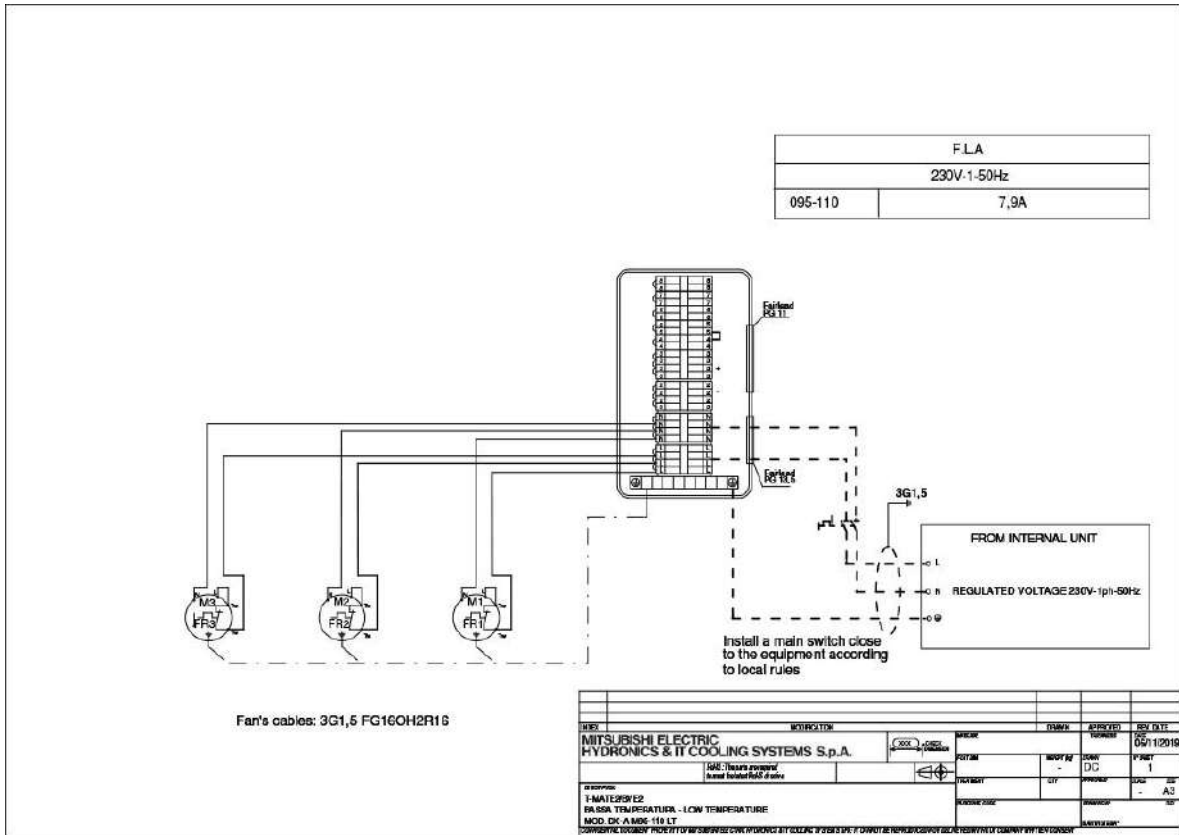


Series: DX-A B / DX-A L
 Model: M45 / M50 / M60 / M70

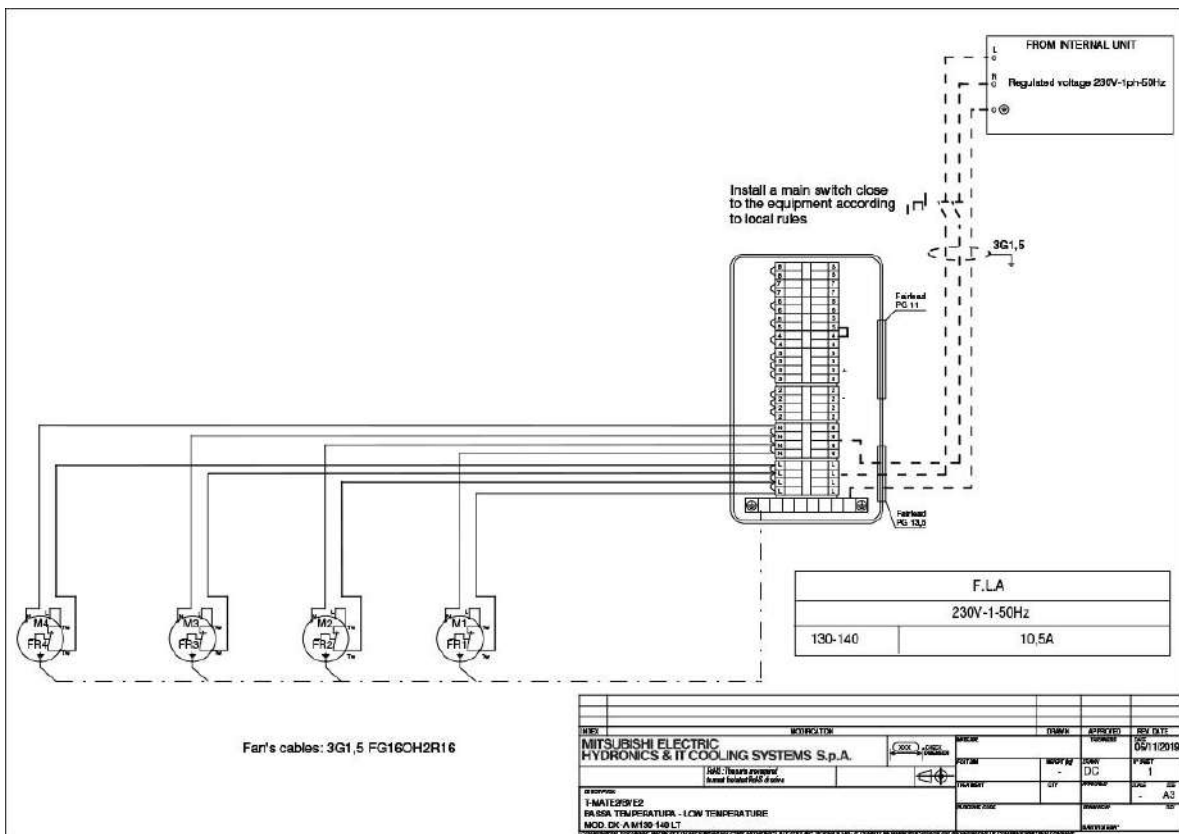


WIRING DIAGRAM – POWER SUPPLY 230V / 1Ph / 50Hz – with optional P172 kit for air -45°C axial AC

Series: DX-A B / DX-A L
 Model: M95 / M110



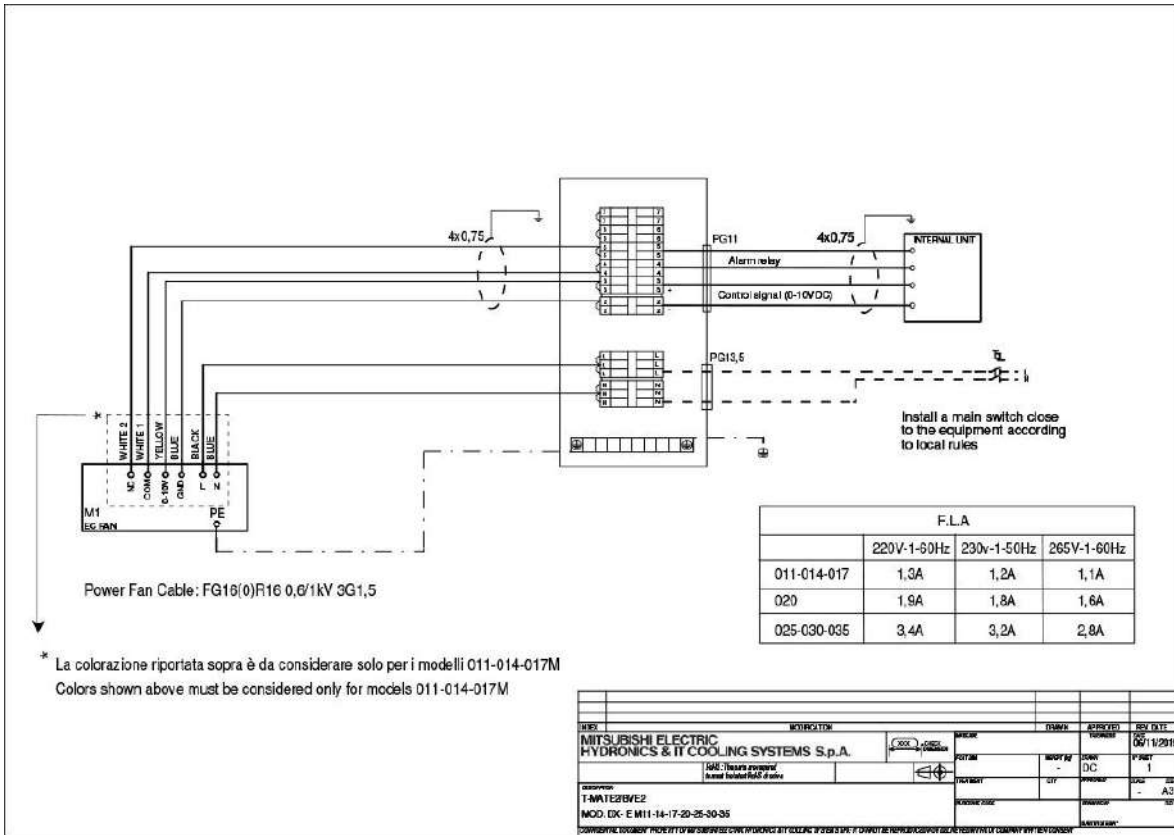
Series: DX-A B / DX-A L
 Model: M130 / M140



WIRING DIAGRAM – POWER SUPPLY 200-277V / 1Ph / 50-60Hz

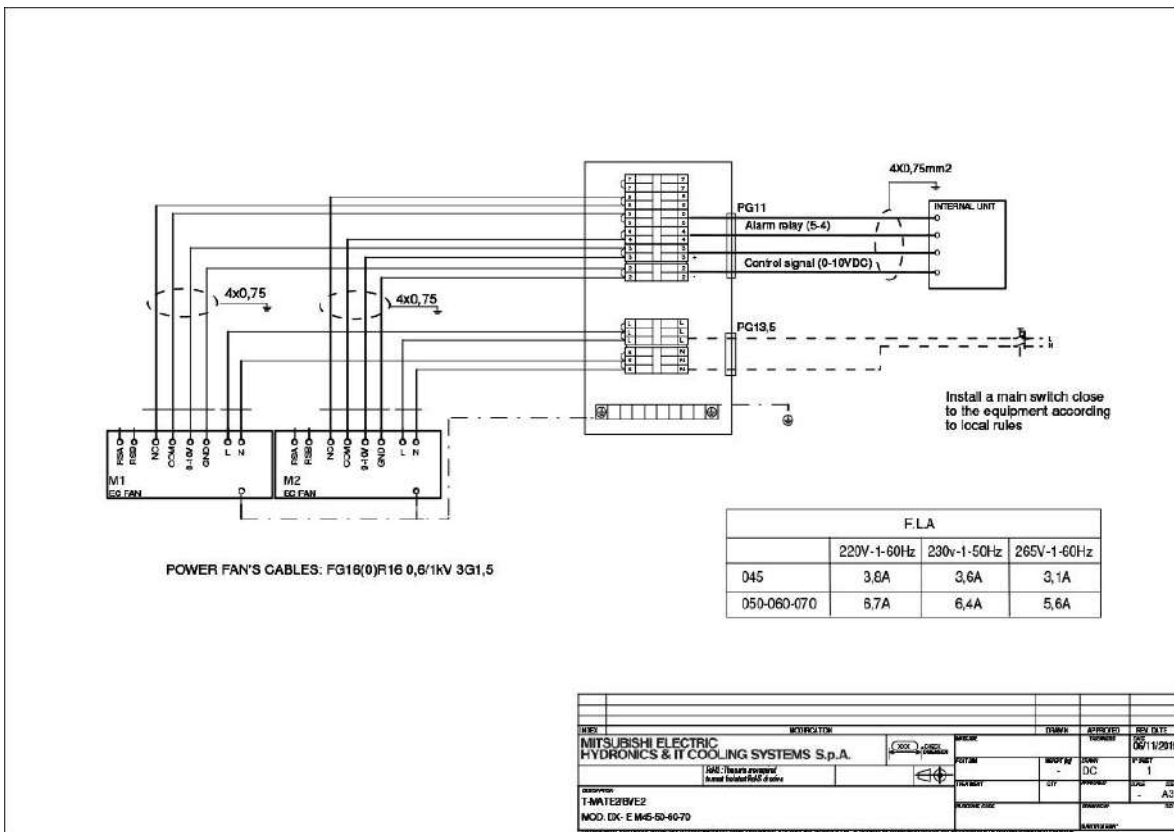
Series: DX-E B / DX-E L

Model: M11 / M14 / M17 / M20 / M25 / M30 / M35



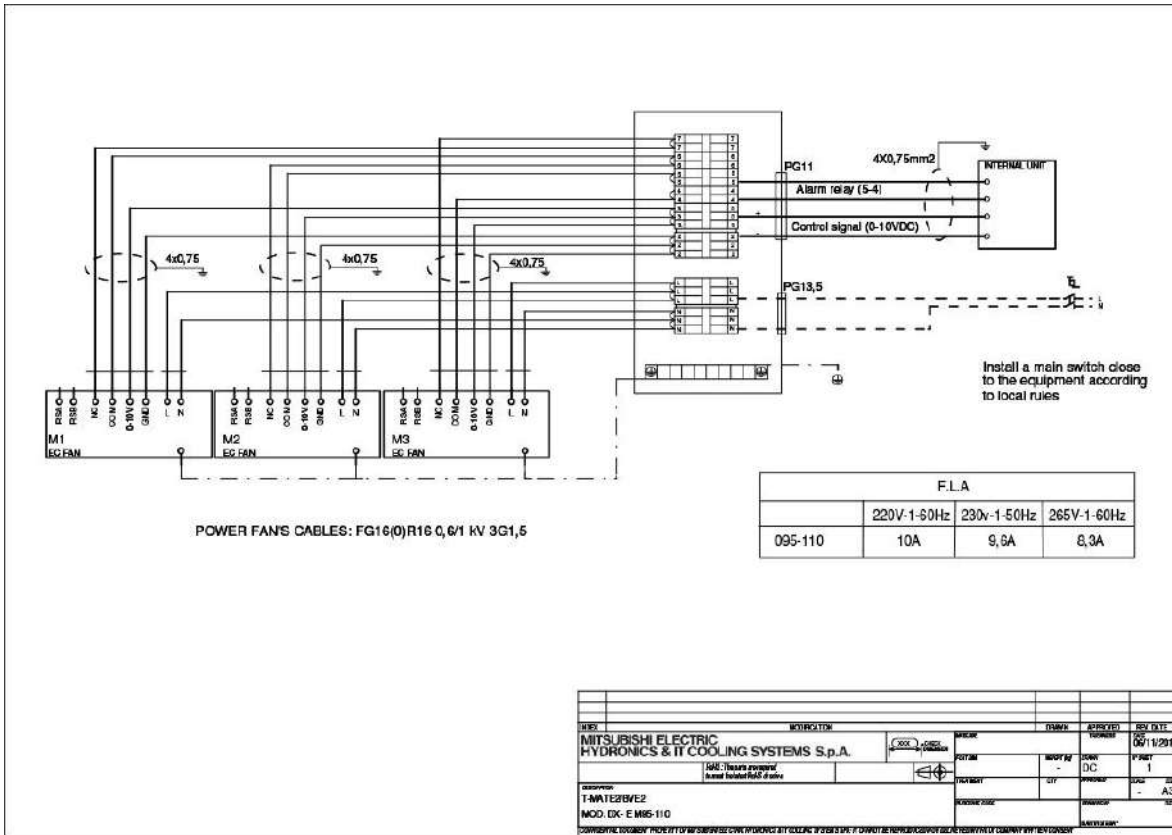
Series: DX-E B / DX-E L

Model: M45 / M50 / M60 / M70

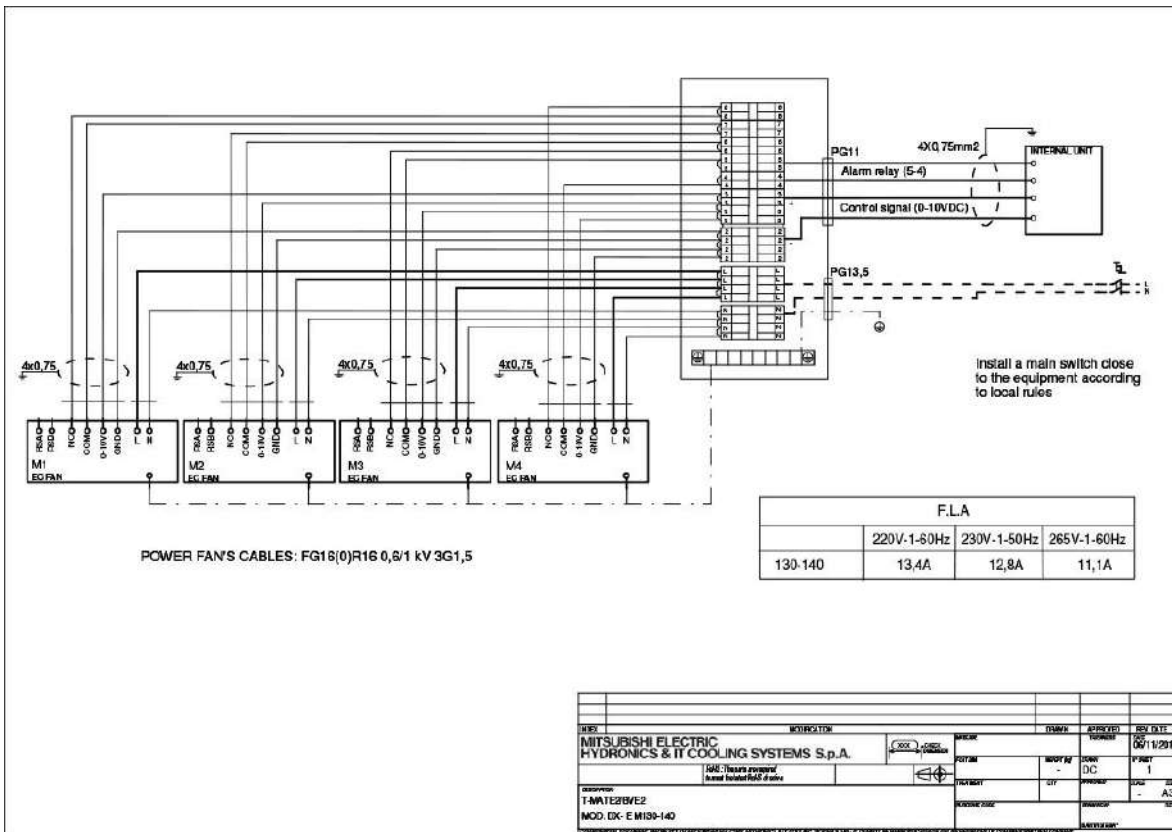


WIRING DIAGRAM – POWER SUPPLY 200-277V / 1Ph / 50-60Hz

Series: DX-E B / DX-E L
 Model: M95 / M110



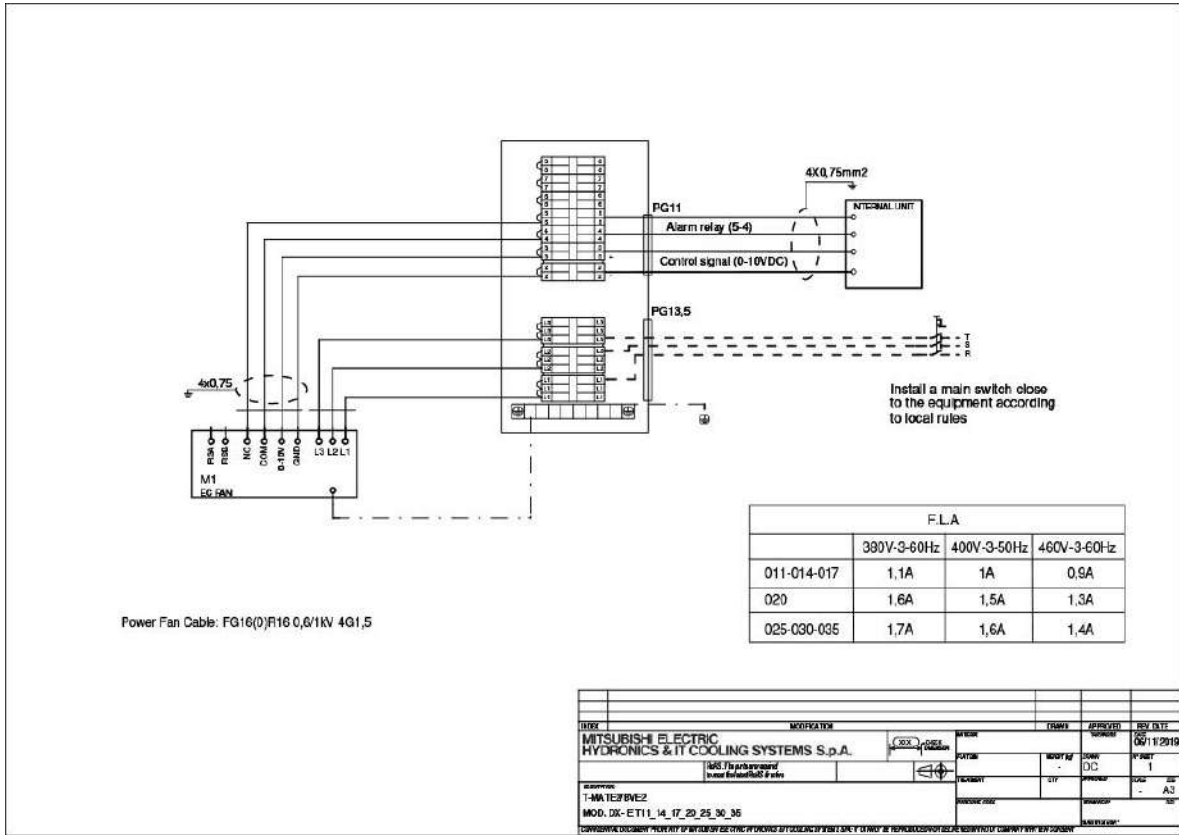
Series: DX-E B / DX-E L
 Model: M130 / M140



WIRING DIAGRAM – POWER SUPPLY 380-480V / 3Ph / 50-60Hz

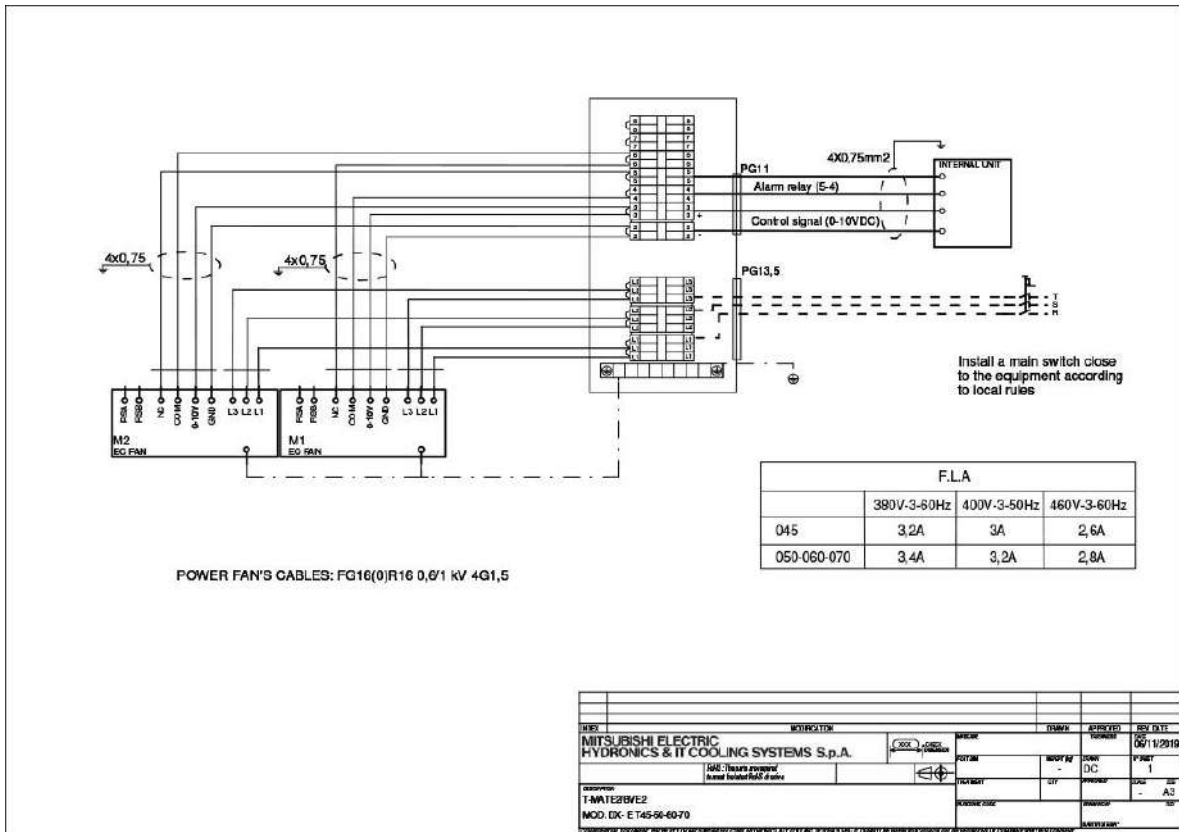
Series: DX-E B / DX-E L

Model: T11 / T14 / T17 / T20 / T25 / T30 / T35



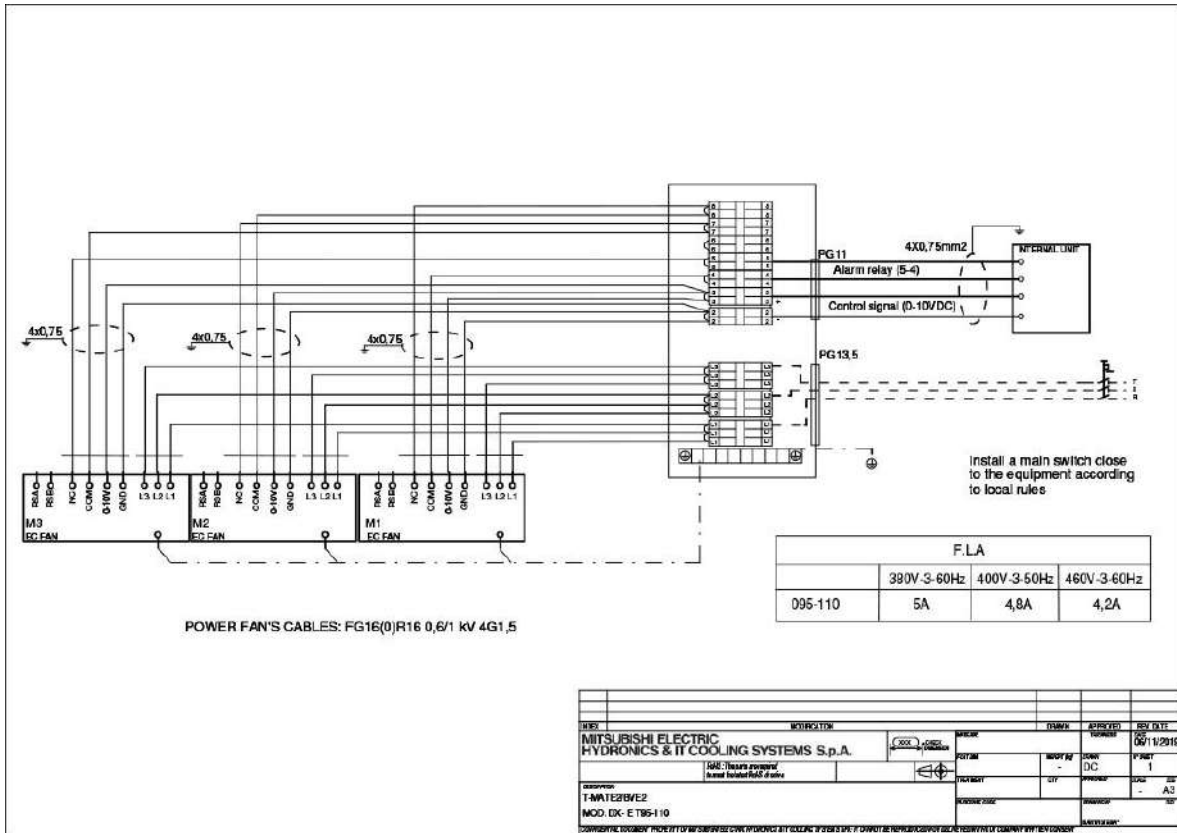
Series: DX-E B / DX-E L

Model: T45 / T50 / T60 / T70

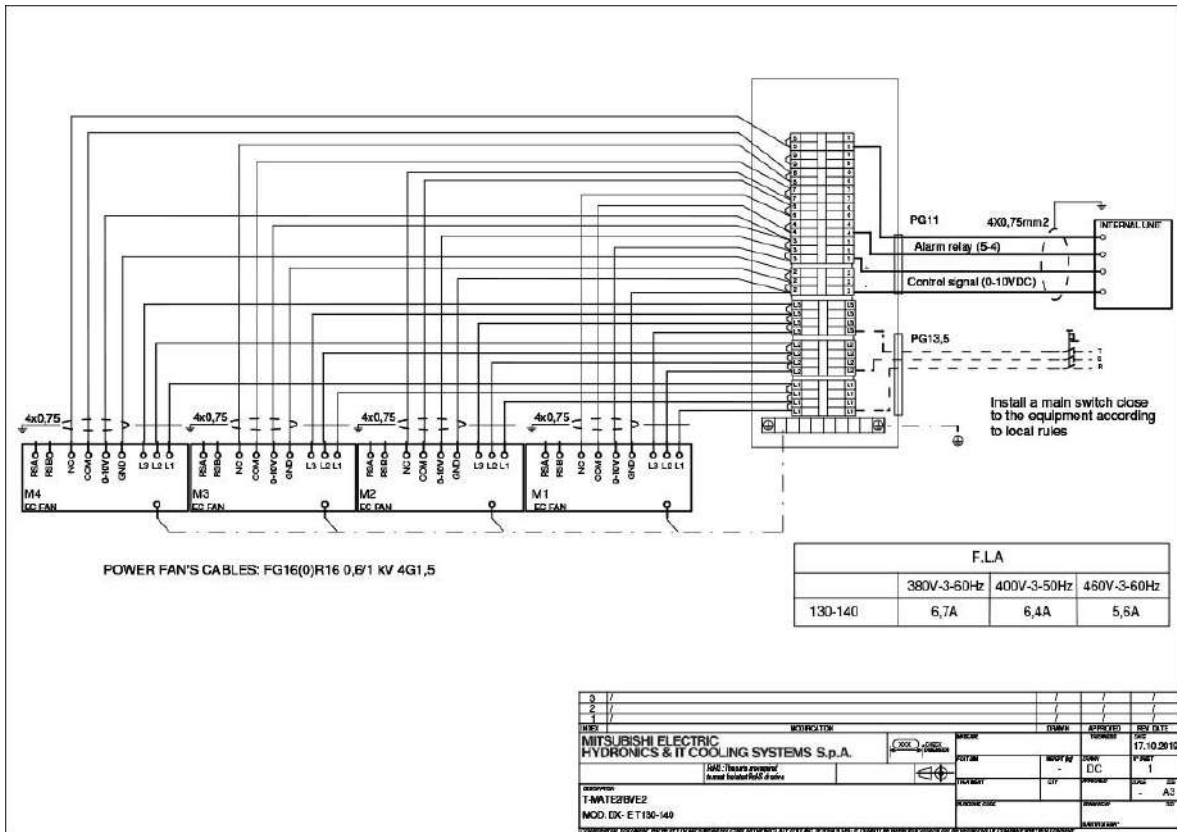


WIRING DIAGRAM – POWER SUPPLY 380-480V / 3Ph / 50-60Hz

Series: DX-E B / DX-E L
 Model: T95 / T110



Series: DX-E B / DX-E L
 Model: T130 / T140



SHIPMENT: PACKING DIMENSIONS

Values referred to basic machine. The presence of some accessories increases the weight of machine. The machines up to model 45 included are shipped on pallet, covered with cardboard and shrink wrap. The machines from model 60 to model 280 are shipped on pallet and covered with shrink wrap.

		STANDARD PACKING FROM MODEL 14 TO MODEL 45					FROM MODEL 60 TO MODEL 280						
MODEL		14	20	35	45	60	70	110	140	210	280		
A	mm	890	1220	1420	1620	1900	2400	3560	4600	3590	4640		
B	mm	570	570	690	690	690	690	690	690	790	790		
H	mm	850	850	1140	1140	1140	1270	1270	1270	2320	2320		
Weight	kg	63	84	138	173	208	238	250	384	558	735		

On request packing on pallet covered with shrink wrap and wooden cage. When foreseen the wooden cage, stacking on two levels is allowed.

		OPTIONAL 9973: WOODEN CAGE PACKING														
MODEL		11	14	17	20	25	30	35	45	50	60	70	95	110	130	140
A	mm	1025	1025	1350	1350	1550	1550	1550	1750	2000	2000	2470	3640	3640	4690	4690
B	mm	660	660	660	660	785	785	785	785	785	785	785	785	785	785	785
H	mm	910	910	910	910	1210	1210	1210	1210	1210	1210	1350	1350	1350	1350	1350
Weight	kg	81	85	101	107	142	151	160	208	245	258	299	375	405	495	525

SHIPMENT: PACKING DIMENSION FOR LEGS FOR VERTICAL AIR FLOW

The optional C628000004 / C628000005 / C628000006 "Legs for vertical air flow" is shipped with separate packaging in a carton box.

		PACKING FOR LEGS FOR VERTICAL AIR FLOW														
MODEL		11	14	17	20	25	30	35	45	50	60	70	95	110	130	140
A	mm	1200	1200	1200	1200	1200	1200	1200	1200	1200	1200	1200	1200	1200	1200	1200
B	mm	230	230	230	230	230	230	230	230	230	230	230	230	230	230	230
H	mm	150	150	150	150	150	150	150	150	150	150	150	150	150	150	150
Weight	kg	13	13	13	13	16	16	16	16	16	16	16	23	23	23	23



for a greener tomorrow

Eco Changes is the Mitsubishi Electric Group's environmental statement, and expresses the Group's stance on environmental management. Through a wide range of businesses, we are helping contribute to the realization of a sustainable society.



MITSUBISHI ELECTRIC HYDRONICS & IT COOLING SYSTEMS S.p.A.

Via Caduti di Cefalonia, 1 - 36061 Bassano del Grappa (VI) Italy
Ph. (+39) 0424 509 500 • Fax (+39) 0424 509 509
www.melcohit.com

