

Smart IO

IO-10MIXR-WE/IO-10MIXR-NWE

MOUNTING INSTRUCTIONS

E	Keep these instructions together with the device or with the equipment documentation! Only qualified personnel may perform electrical connections for 230 VAC.	F	Cette instruction est à conserver avec le contrôleur ou avec la documentation de l'installation ! Le raccordement électrique pour le 230 VAC ne peut être effectué que par le personnel autorisé.	P	Guarde estas instruções junto do regulador ou junto da documentação da instalação! A ligação eléctrica a 230 VAC só deve ser efectuada por pessoal especializado.
D	Diese Anleitung ist beim Gerät oder in der Anlagendokumentation aufzubewahren! Elektrisches Anschließen von 230 VAC ist nur durch autorisiertes Fachpersonal gestattet.	I	Queste istruzioni devono essere conservate insieme al lettore o con la documentazione dell'impianto! I collegamenti a 230VCA devono essere eseguiti da personale qualificato.	S	Denna instruktion skall förvaras tillsammans med regler eller anläggningsdokumentationen! Elektrisk anslutning med 230 VAC får endast utföras av behörig personal.
DK	Opbevar denne vejledning sammen med regler eller med anlæggsdokumentationen! Elektrisk tilslutning for 230 VAC bør kun foretages af autoriserede personer.	N	Denne veiledningen skal oppbevares sammen med regler eller anleggsdokumentasjonen! Elektrisk tilkøpling med 230 VAC må kun utføres av fagfolk.	FI	Tätä ohjetta tulee säilyttää laitteen läheisyydessä tai yhdessä muiden dokumenttien kanssa! Vain asianmukaiset oikeudet omaava henkilö saa suorittaa 230 VAC käyttöjännitteen liitännätöitä.
ES	Conserve estas instrucciones con el recalar o con la documentación de la instalación. La conexión eléctrica a 230 VCA debe hacerse solamente por personal cualificado.	NL	Deze handleiding moet bij de regelaar, of met de documentatie van de installatie worden bewaard! De elektrische aansluiting voor 230 VAC mag alleen door geautoriseerd personeel worden uitgevoerd.	PL	Instrukcję obsługi należy przechowywać przy urządzeniu albo w dokumentacji technicznej. Tylko autoryzowany serwis jest upoważniony do podłączenia do 230 VAT.
SC	请将此装配说明书与设备或者与设备的其他文档保存在一起！ 230 V 交流电的接线操作仅允许由合格的专业人员执行	TC	請將此裝配說明書與設備或者與設備的其他文件儲存在一起！ 僅能由合格的專業人員進行230 V交流電的接線作業。	K	본 설치 설명서를 해당 장치 또는 관련 문서와 함께 보관하시기 바랍니다. 230VAC 전원 연결은 관련 작업 전문가에 의해 수행되어야 합니다.

SUPPORTED DOCUMENTS

- 31-00427 (Smart IO Datasheet)
- 31-00429 (Smart IO Installation Instructions)

! WARNING

Electrical Shock Hazard.

Can cause severe injury, death or property damage.

Disconnect the power supply before beginning installation to prevent electrical shock and equipment damage. More than one power supply may have to be disconnected.

When Installing This Product

1. Read these instructions carefully. Failure to follow them could damage the product or cause a hazardous condition.
2. Check the ratings given in the instructions and marked on the product to make sure the product is suitable for your application.
3. Installer must be a trained, experienced service technician.
4. After installation is complete, check the product operation.
5. Be sure wiring complies with all applicable codes, ordinances and regulations.

WEEE



WEEE Directive 2012/19/EC Waste Electrical and Electronic Equipment Directive

- At the end of the product life, dispose of the packaging and product in an appropriate recycling center.
- Do not dispose of the device with the usual domestic refuse.
- Do not burn the device.

This symbol on our product shows a crossed-out “wheelie-bin” as required by law regarding the Waste of Electrical and Electronic Equipment (WEEE) disposal. This indicates your responsibility to contribute in saving the environment by proper disposal of this Waste i.e. Do not dispose of this product with your other wastes. To know the right disposal mechanism please check the applicable law.

Regulation (EC) No 1907/2006

According to Article 33 of REACH Regulation, be informed that this product may contain components with lead (CAS: 7439-92-1) content above the threshold level of 0.1% by weight.

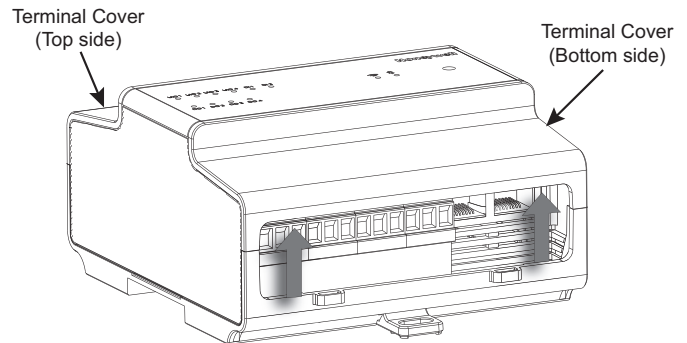
INTRODUCTION

This document contains mounting instructions for the Smart IO including the accessories.

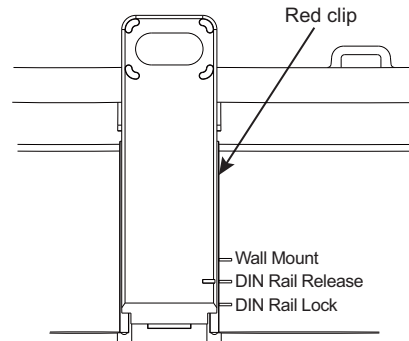
Mounting the Smart IO on DIN Rail

The Smart IO can be mounted on the vertical or horizontal DIN rail. The following procedure applies to both mounting conditions.

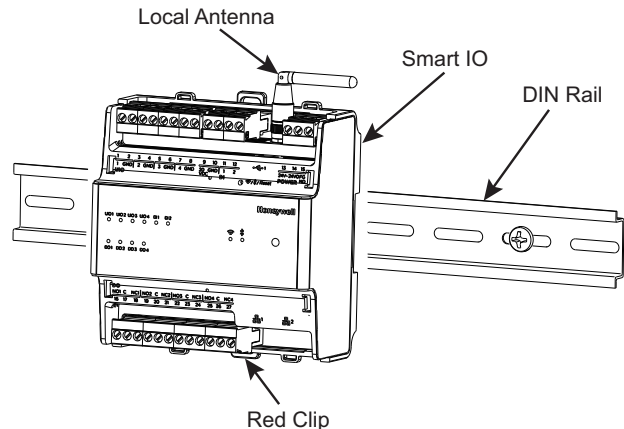
1. Remove the top and bottom terminal covers from Smart IO using fingers by pushing terminal covers upwards as shown in the below figure.



2. Extend both red clips to the **DIN Rail Release** position as shown in the below figure.



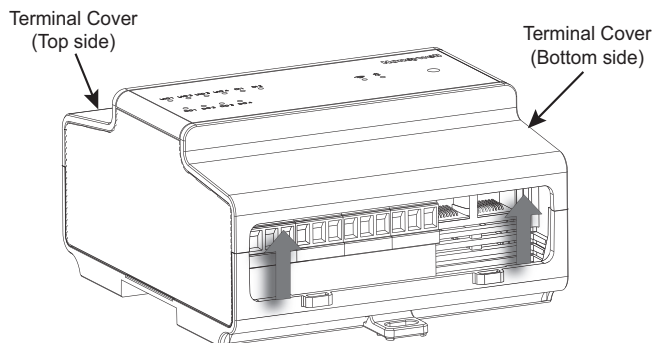
3. Mount the Smart IO onto the DIN rail and push both red clips in to secure it in place.



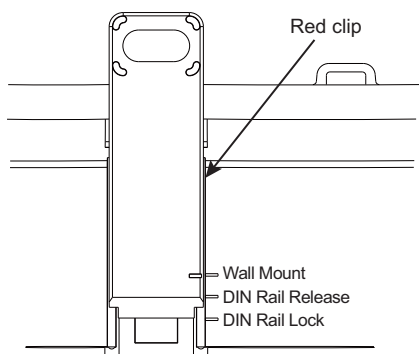
4. Connect the antenna, terminal wires, and Ethernet cables. See the “Antenna” section on page 3 for antenna installation. See the Smart IO Installation guide (31-00429) for wiring connections.
5. Remount the Terminal covers.

Mounting the Smart IO on a Wall/Panel Using Screws

1. Remove the top and bottom terminal covers from Smart IO using fingers by pushing terminal covers upwards as shown in the below figure.



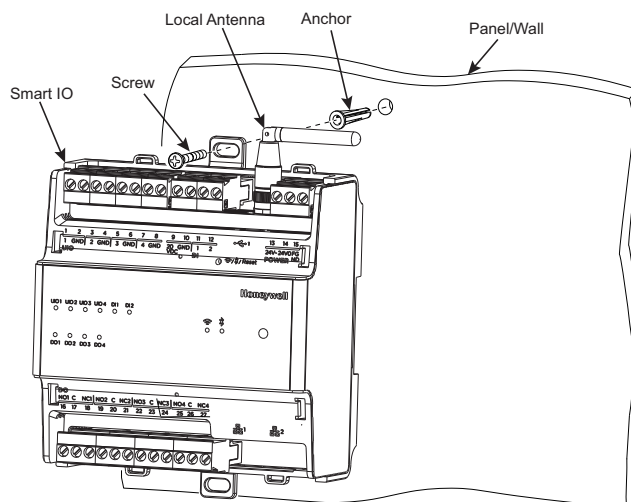
2. Extend both red clips to the **Wall Mount** position as shown in the below figure.



3. Hold the Smart IO along the wall and mark the drilling locations through the red clip slots as shown in the below figure.
4. Remove the Smart IO from the wall and drill two holes at the marked locations.
5. Insert anchors (if applicable) into the two mounting screw holes.
6. Hold the Smart IO along the wall/panel so that the holes are aligned.
7. Insert the screw into the topside hole first and fasten with a screwdriver.

NOTE: It is recommended to use the 6-18 1" pan head Phillips tapping screws.

8. Insert the screw into the bottom hole and fasten with a screwdriver.



9. Connect the antenna, terminal wires, and Ethernet cables. See the "Antenna" section on page 3 for antenna installation. See the Smart IO Installation guide (31-00429) for wiring connections.
10. Remount the Terminal covers.

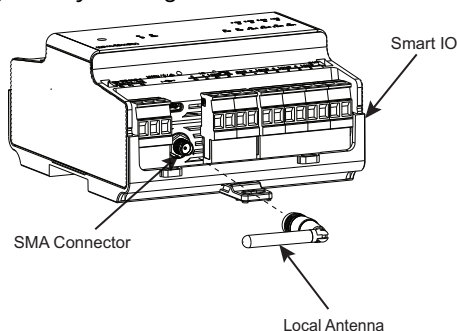
Antenna

Smart IO has a local antenna included in the kit. The antenna is to facilitate wireless communication via Wi-Fi and Bluetooth with other devices. If the Smart IO is mounted inside a cabinet/enclosure and you are using the Local antenna, use an enclosure that is made of a **non-metallic** material to achieve a reliable wireless signal.

Replace the local antenna with the Remote antenna when an extended range is needed or when the IO module is mounted in a metal cabinet/enclosure. The Remote antenna has a cable that connects to the Smart IO, and the antenna is mounted outside the cabinet/closure. When the Smart IO is mounted inside a metal cabinet/enclosure, the Remote Antenna is required to achieve a reliable wireless signal.

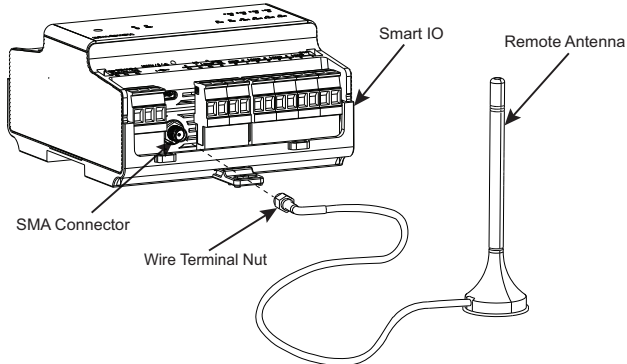
Installing the Local Antenna

1. Remove the terminal blocks on either side of the SMA Connector for easier access to the connector.
2. Insert local antenna terminal nut into the SMA connector.
3. Tighten by turning the base of the antenna clockwise.



Installing the Remote Antenna

1. Uninstall the Local antenna by turning the base of the antenna counter-clockwise.
2. Place the Remote antenna where the signal reception is good.
3. Safely route the Remote antenna wire terminal nut to the Smart IO.
4. Remove the terminal blocks on either side of the SMA Connector for easier access to the connector.
5. Insert the wire terminal nut into the SMA connector.
6. Tighten the wire terminal nut by turning the nut clockwise. Do not overtighten.

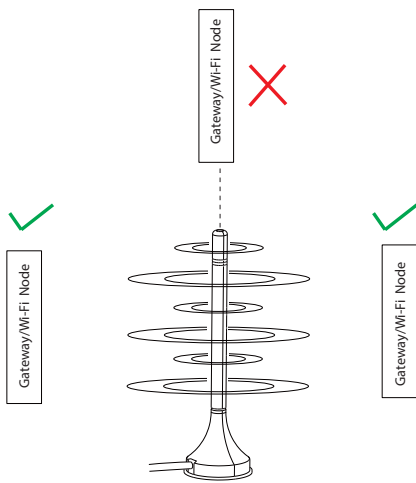


7. Remount the terminal blocks.

NOTE: Ferrite ring is not required when the Remote Antenna is used with the Smart IO.

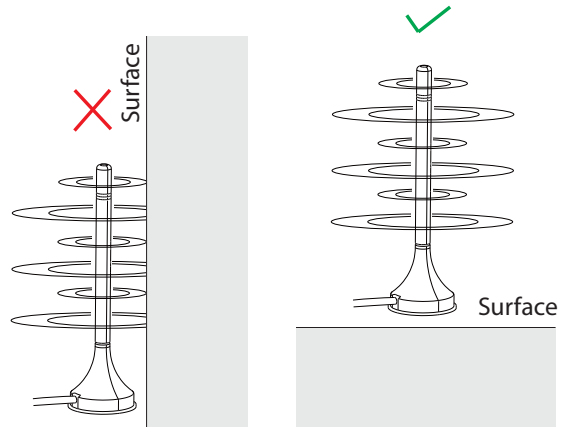
REMOTE ANTENNA PLACEMENT

- Place and align the antenna in a way that the Wi-Fi signal does not interfere with many obstacles.
- Obstacles such as metal, steel-reinforced concrete wall filter ~10-90% of the Wi-Fi signal. Other obstacles such as drywall, wood, glass filter ~0-10% of the Wi-Fi signal.
- The antenna has a strong signal transmission/reception from the side. See figure below. Position the sides of the antenna towards the device it is communicating with (e.g Gateway/WiFi Node).



- Keep the antenna away from devices that cause wireless interference such as other Wi-Fi network and telecommunications equipment.

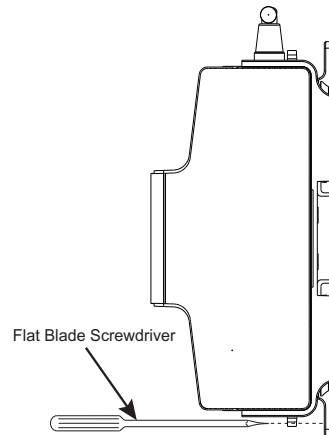
- Make sure that the antenna is installed perpendicular to the surface for a good Wi-Fi signal.



- Do not install the antenna close to the floor.
- The Local antenna can be used when the Smart IO is installed in a plastic cabinet/enclosure.

Removing the Smart IO from the DIN Rail

1. Remove the Terminal Covers if applicable.
2. Disconnect all the communication and power supply terminals from the Smart IO.
3. Hold the Smart IO with one hand and insert a flat blade screwdriver into the bottom red clip slot and pull the red clip outward to release the Smart IO from the DIN rail.

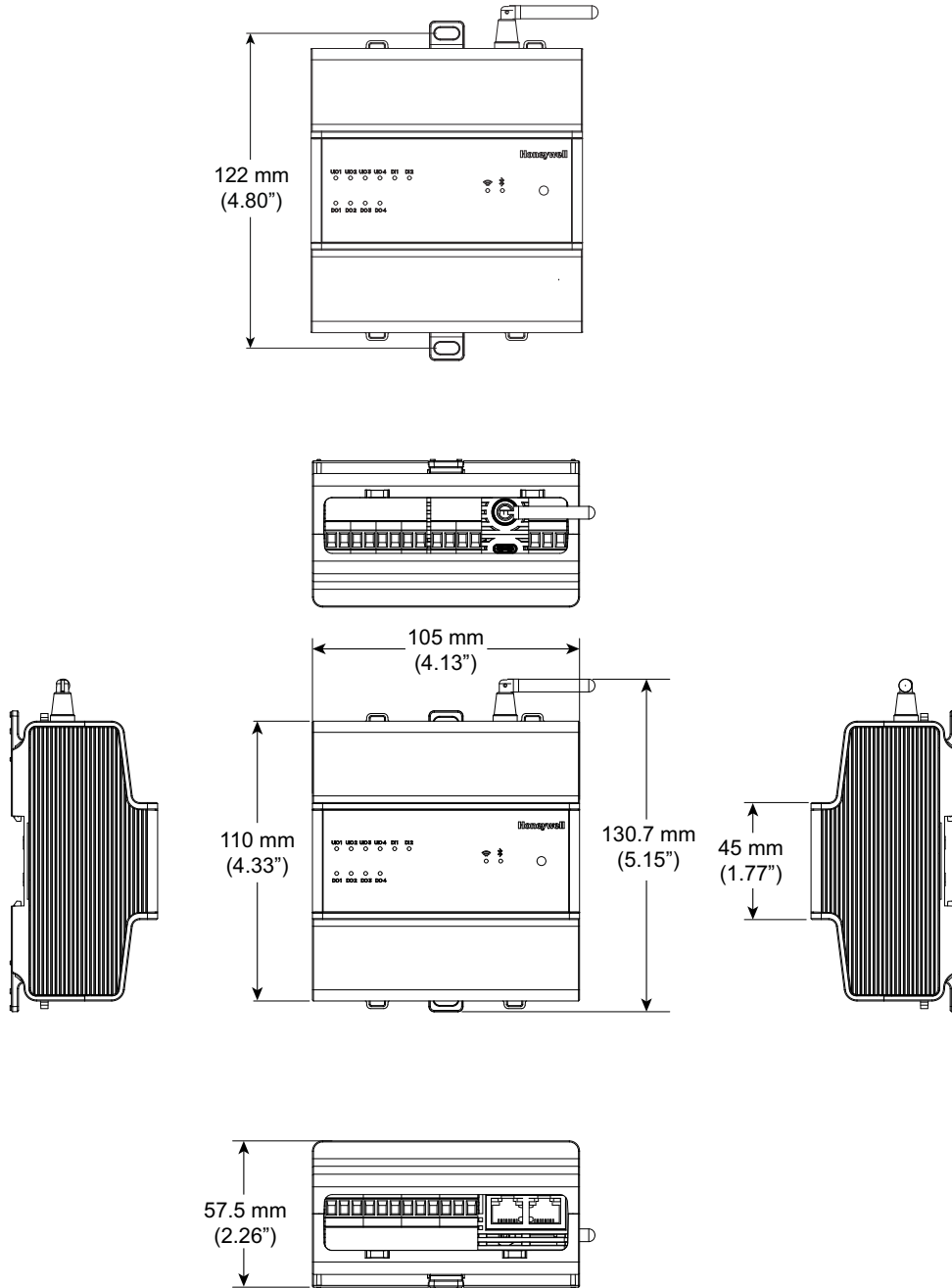


4. Repeat the same for the top red clip.
5. Remove the Smart IO from the DIN rail.

Removing the Smart IO from the Wall/Panel

1. Remove the Terminal covers if applicable.
2. Disconnect all the communication and power supply terminals from the Smart IO.
3. If the remote antenna is installed, remove the terminal blocks on either side of the SMA Connector for easier access to the connector. Disconnect the antenna by turning the antenna wire terminal nut counter-clockwise.
4. Use a screwdriver to remove the bottom screw first.
5. Hold the Smart IO with one hand and remove the top screw.
6. Remove the Smart IO from the wall/panel.

DIMENSIONS



Honeywell Building Solutions

Honeywell
715 Peachtree Street NE
Atlanta, GA 30308
customer.honeywell.com
buildingcontrols.honeywell.com

® U.S. Registered Trademark
© 2020 Honeywell International Inc.
31-00428 | Rev.10-20
Part Number: 32350802-001

THE
FUTURE
IS
WHAT
WE
MAKE IT

Honeywell