

VISUALLOGIC® EXPANSION I/O MODULE

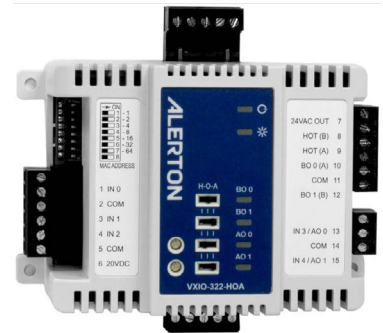
Alerton® VisualLogic® Expansion Input/Output Modules (VXIO) are designed to expand the I/O capacity of Alerton® VisualLogic® IP Controllers (VIP). The VIP-363 model is designed to support up to eight VXIO modules providing the I/O expansion for applications such as central plant systems, air handling units, clean rooms, fume hoods, large terminal units, and similar control and process equipment. VIP-363-VAV model can support up to one VXIO module.

VXIO modules connect directly into the I/O expansion slot of a VIP-363-HOA or VIP-363-VAV controller or another VXIO module. Alternatively, VXIO modules can also be mounted remotely with total a RS485 cable length of up to 3000 feet.



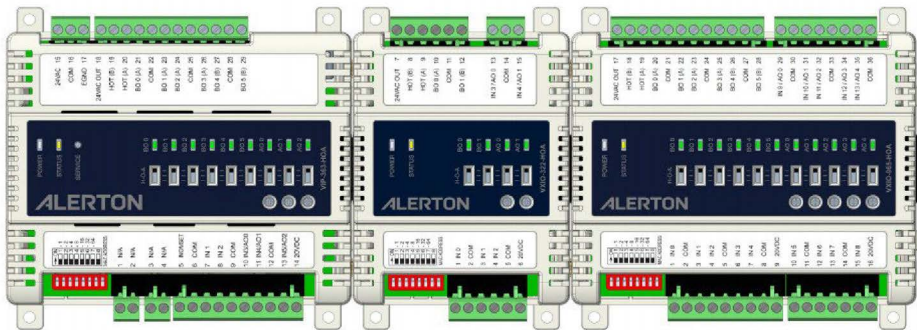
VXIO-965-HOA

Expansion modules are available when additional universal input/outputs are needed for the new Alerton VisualLogic® IP Controller VIP 363-HOA. The VXIO-965-HOA offers 36 outputs with a maximum load of 207 VA.



VXIO-322-HOA

For smaller power needs, the VXIO-322-HOA is available, with a maximum load of 87 VA and 15 outputs available.



VIP-363-HOA controller, VXIO-322-HOA and VXIO-965-HOA expansion modules

VIP-363-VAV controller supports only one VXIO-322-HOA or one VXIO-965-HOA expansion module.

VXIO-965-HOA

UI	BO	UIO	AF
UNIVERSAL INPUTS	BINARY OUTPUTS	UNIVERSAL INPUTS/OUTPUTS (Selectable between UI and AO)	AIR-FLOW SENSOR (VIP-363-VAV only)
9	6	5	0

VXIO-322-HOA

UI	BO	UIO	AF
UNIVERSAL INPUTS	BINARY OUTPUTS	UNIVERSAL INPUTS/OUTPUTS (Selectable between UI and AO)	AIR-FLOW SENSOR (VIP-363-VAV only)
3	2	2	0

PRODUCT SPECIFICATIONS

TECHNICAL DATA
<p>POWER: 24 VAC nominal, 20 VAC min., 30 VAC max. @ 50-60 Hz. VXIO-965-HOA: 35 VA minimum / VXIO-322-HOA: 15 VA minimum. (VXIO-965-HOA: maximum 24VAC = 100 VA, HOT(A) = 100 VA, HOT(B) = 72 VA. VXIO-322-HOA: maximum 24VAC = 87 VA, HOT(A) = 36 VA, HOT(B) = 36 VA). Half-wave rectified. See IMPORTANT NOTE below.</p>
<p>INPUTS: 16-bit universal inputs accept 10k thermistor (type II and III), dry contact, 1k platinum RTD, 0-20 mA, 0-10 V, or dry-contact pulse. Pulse input maximum frequency of 100 Hz. Pulse input minimum duty cycle 5ms ON / 5ms OFF.</p>
<p>POWER OUTPUT FOR EXTERNAL SENSORS: 20 VDC ±10% @ 250 mA maximum for VXIO-965-HOA and 100 mA maximum for VXIO-322-HOA.</p>
<p>BINARY OUTPUTS: Solid-state relay rated 20-30 VAC @ 50/60 Hz, 1.5 amps continuous, 3.5 amp inrush for 100ms. Hand-Off-Auto (H-O-A) switches for manual override, software controlled, monitored switch position status. See IMPORTANT NOTE below.</p>
<p>ANALOG OUTPUTS: 16-bit universal analog outputs support:</p> <ul style="list-style-type: none"> • Voltage Mode: 0-10 VDC @ 10 mA maximum (1k ohm minimum). • Current Mode: 4-20 mA @ 550 ohms Maximum. • Binary Mode: 12 VDC @ 20mA maximum relay coil current (for controlling low-coil current 12 VDC relays and solid-state relays). Hand-Off-Auto (H-O-A) switches with potentiometers for manual override, software controlled, monitored switch position, and potentiometer status.
<p>INPUT/OUTPUT TERMINATIONS: Removable header-type screw terminals.</p>
<p>MOUNTING: 35mm DIN rail or screw mounting.</p>
<p>COMMUNICATIONS: Communications with the VIP controller is a proprietary protocol over RS-485.</p>
<p>MICROPROCESSOR: 32-bit ARM Cortex M4, 120 MHz.</p>
<p>MEMORY: 512KB of on-chip flash and 128KB of RAM.</p>
<p>SECURITY: Integrated secure boot prevents the loading of tampered firmware.</p>

ITEM NUMBER	DESCRIPTION
VXIO-322-HOA	Visuallogic® Expansion I/O module
VXIO-965-HOA	Visuallogic® Expansion I/O module

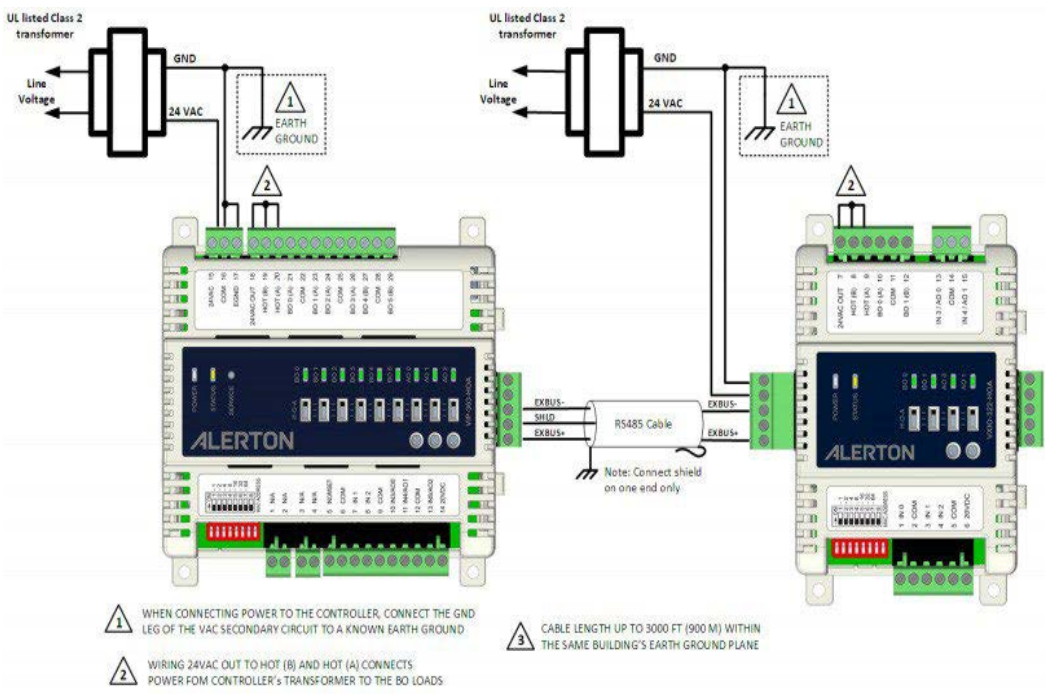
CERTIFICATION AND CONFORMANCE
<p>UL: Listed with Underwriters Laboratory for Energy Management Equipment (PAZX) under the UL Standard for Safety 60730-1; listing includes both U.S. and Canadian (CSA/cUL) certification. Listed in UL File# E87741. UL 2043 and CAN/ULC-S142 compliance for use in plenum applications.</p>
<p>EMC: EMC Directive 2014/30/EU (European CE Mark).</p>
<p>ROHS: RoHS Directive 2011/65/EU.</p>
<p>FCC: FCC Part 15, Subpart B.</p>
<p>IC: ICES-003 Issue 6.</p>

PRODUCT	DIMENSIONS
VXIO-965-HOA	5.32" (135 mm) W x 4.33" (110 mm) H x 2.26" x (57.4 mm) D
VXIO-322-HOA	3.35" (85 mm) W x 4.33" (110 mm) H x 2.26" x (57.4 mm) D

ENVIRONMENTAL CONDITIONS	
<p>AMBIENT</p>	-20 to 55°C (-4 to 131°F).
<p>STORAGE</p>	-20 to 85°C (-4 to 185°F) / 5 to 95 % RH non-condensing.

IMPORTANT NOTE

This device is UL listed and limited to 100VA maximum. This maximum VA rating restricts binary output loads. If all 6 binary outputs are connected and fully loaded (@24VA each), the total VA of the device will exceed the UL listed and limited maximum rating. DO NOT EXCEED 100VA MAXIMUM RATING!



ALERTON

715 Peachtree St NE
 Atlanta, Georgia, 30308
alerton.com

